

# Fiber Runner

## OPTICAL CABLE TRAY

FTTX

SHELTER

OTHERS

OPTICAL CABLE TRAY

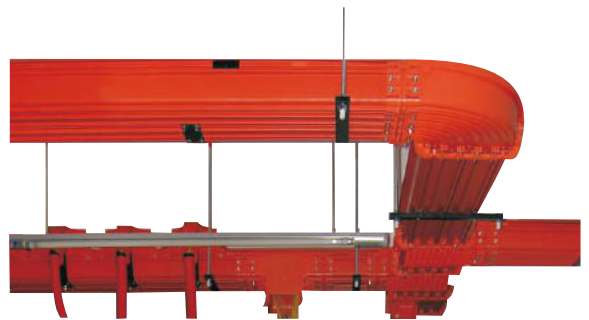
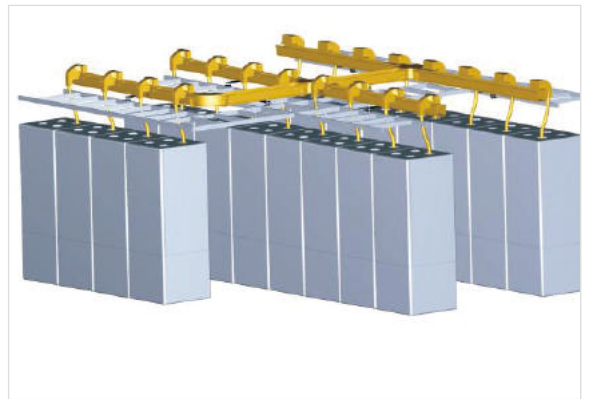


# Fiber Runner

## OPTICAL CABLE TRAY

### Brief Introduction:

- Optical cable tray is a system designed to protect and route fiber optic patch cords, cable assemblies to and from network cabinets, ODF and other terminal devices.
- Optical cable tray offers ideal solutions for optical raceway requirements and application with pleasing appearance and easy maintenance.
- Flame-retardant materials rated V0.
- Tool-less products boast easy and quick installation including snap-on cover, hinged cover option as well as quick exits.
- Materials:
  - Straight Sections: PVC
  - Other Plastic Parts: ABS
- Sizes from 2" x 2" to 4" x 12"
- Capacity

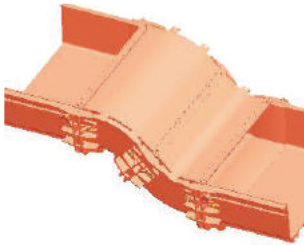


Specifications Cable dia meter	2"×2"system		4"×4"system		4"×6"system		4"×10"system		4"×12"system	
	2.0mm	3.0mm	2.0mm	3.0mm	2.0mm	3.0mm	2.0mm	3.0mm	2.0mm	3.0mm
Accumulated height 5cm	408	176	816	352	1224	528	2040	880	2448	1056
7.5cm	-	-	1224	528	1836	792	3060	1320	3672	1584
11cm	-	-	1632	704	2448	1056	4080	1760	4896	2112

# OPTICAL CABLE TRAY **Fiber Runner**

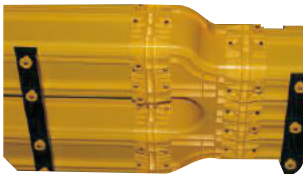
## Color options

- ▶ Yellow
- ▶ Orange



### ● Sizes

▶ 2" (2"×2" 50mm × 50mm) -----	04
▶ 4" (4"×4" 100mm × 100mm) -----	06
▶ 6" (4"×6" 100mm × 150mm) -----	09
▶ 10" (4"×10" 100mm × 250mm) -----	11
▶ 12" (4"×12" 100mm × 300mm) -----	13



● Hybrid Connector / Adapters -----	17
-------------------------------------	----

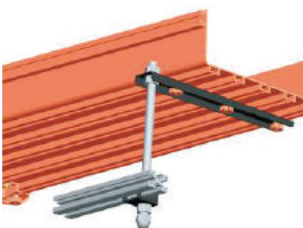
### ● Exit Drop Options

▶ 2" Quick Exit with Flex Tube / Trumpet Flare Drop 1 -----	19
▶ 2" Quick Exit with Flex Tube / Trumpet Flare Drop 2 -----	20
▶ 2" Fixed Exit with Flex Tube / Trumpet Flare Drop -----	21
▶ 4" Quick Exit with Flex Tube / Trumpet Flare Drop 1 -----	22
▶ 4" Quick Exit with Flex Tube / Trumpet Flare Drop 2 -----	24
▶ 4" Fixed Exit with Flex Tube / Trumpet Flare Drop -----	26
▶ Downspout with Trumpet Flare / Trumpet Flare Drop -----	27



### ● Installation / Supporting Systems

▶ Anchor Support -----	29
▶ Trapeze Support -----	30
▶ Top of Rack / Cabinet Support -----	30
▶ Auxiliary Framing support -----	31
▶ Wall Support -----	31





2"

Optical Cable Tray

2" (2"×2" 50mm×50mm)

**Straight Section**  
Cod: FR-A101-FO

Remarks: 2 meter/piece •

**Straight Section Cover**  
Cod: FR-A102-FO

Remarks: 2 meter/piece •

**End Cap**  
Cod: FR-A114-FO

Remarks: Metal, used for straight section.

**Connector**  
Cod: FR-A108-FO

**90° Horizontal Elbow**  
Cod: FR-A104-FO

**90° Horizontal Elbow Cover**  
Cod: FR-A105-FO

**Horizontal T**  
Cod: FR-A106-FO

**Horizontal T Cover**  
Cod: FR-A107-FO

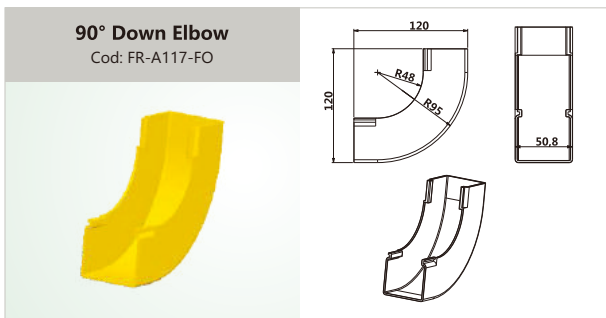
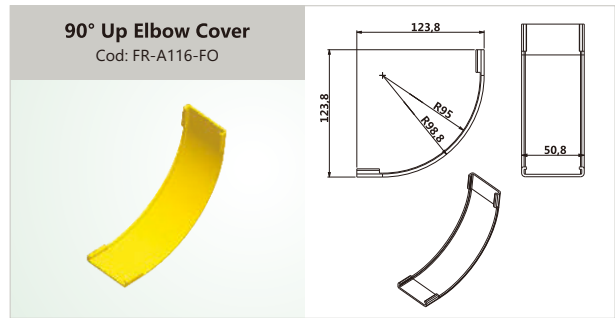
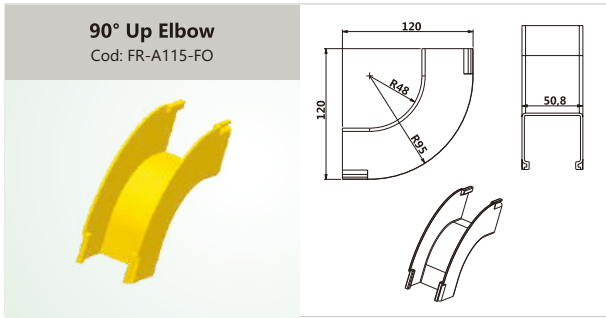
\* Other length is available upon request.



2"

Optical Cable Tray

2" (2"×2" 50mm×50mm)



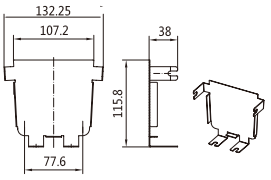

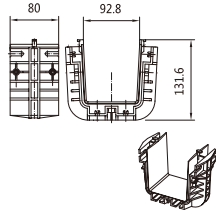
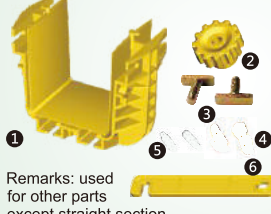
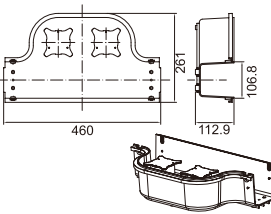


\* Other length is available upon request.

4"

### Optical Cable Tray

### 4" (4" x 4" 100mm x 100mm)


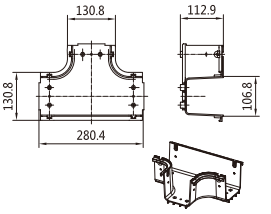

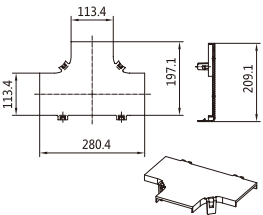

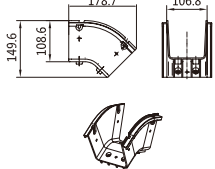

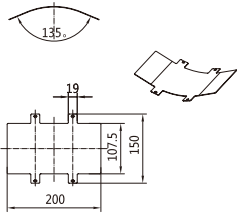

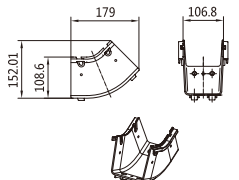
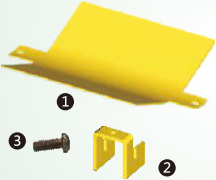
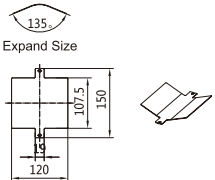

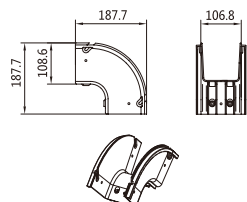
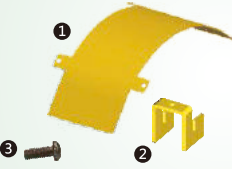
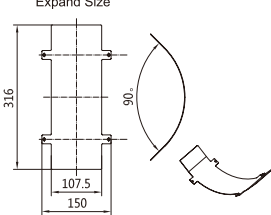
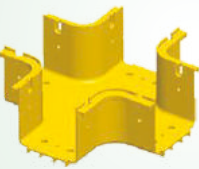
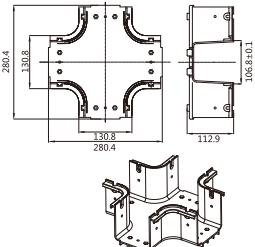

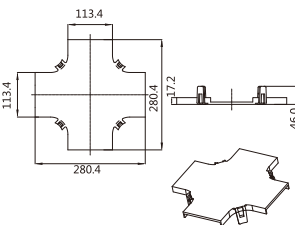
<p><b>Straight Section</b> Cod: FR-A203-FO</p>  <p>Remarks: 2 meter/piece *</p>		<p><b>Straight Section Cover Kit</b> Cod: FR-T202-FO</p>  <p>① A202 4" Straight Section 2 meter * ② A303 Hinge 5 pcs ③ A301 Fixing knob 5 pcs ④ A321 Bolt 5 pcs</p>	
<p><b>End Cap</b> Cod: FR-A214-FO</p>  <p>Remarks: Metal, used for straight section.</p>		<p><b>Connector End Cap</b> Cod: FR-A216-FO</p>  <p>Remarks: Metal, used for connector.</p>	
<p><b>Connector Kit A</b> Cod: FR-T2041-FO</p>  <p>Remarks: used for straight section</p>	 <p>① A204 4" Connector 1 ② A301 Fixing Knob 8 ③ A321 Bolt 8</p>	<p><b>Connector Kit B</b> Cod: FR-T2042-FO</p>  <p>Remarks: used for other parts except straight section</p>	 <p>① A204 4" Connector 1 ② A301 Fixing knob 8 ③ A321 Bolt 4 ④ GB5780-86 M6*25 Hexagonal Bolt 4 ⑤ GB79-85M6*14 Inner Hexagon Screw 4 ⑥ A201 4" Pull Rod 1</p>
<p><b>90° Horizontal Elbow</b> Cod: FR-A211-FO</p> 		<p><b>90° Horizontal Elbow Cover</b> Cod: FR-A212-FO</p> 	
<p><b>Storage Tray</b> Cod: FR-T231-FO</p> 		<p><b>Storage Tray Cover</b> Cod: FR-A232-FO</p> 	

\* Other length is available upon request.

4"

### Optical Cable Tray

### 4" (4"×4" 100mm×100mm)

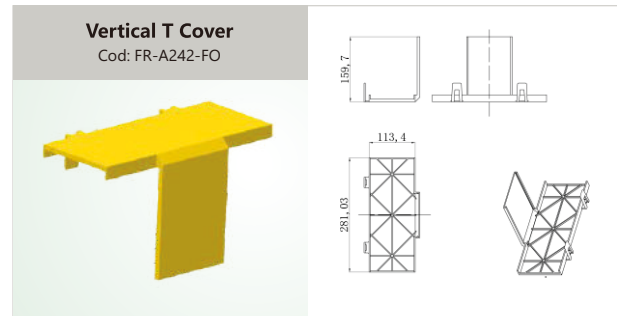
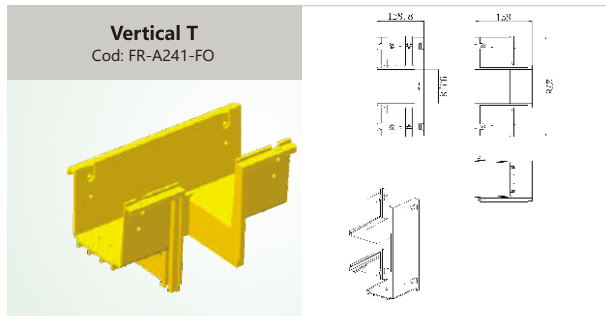
<p><b>Horizontal T</b> Cod: FR-A205-FO</p> 		<p><b>Horizontal T Cover</b> Cod: FR-A206-FO</p> 							
<p><b>45° Down Elbow</b> Cod: FR-A208-FO</p> 		<p><b>45° Down Elbow Cover Kit</b> Cod: FR-T220-FO</p>  <p>Remarks: Metal material.</p>	 <table border="0"> <tr> <td>① A220 4" 45° Down Elbow Cover</td> <td>1</td> </tr> <tr> <td>② A215 Fixing unit</td> <td>4</td> </tr> <tr> <td>③ GB818-85 M4*10 Cross Recessed Pan Head Screw</td> <td>4</td> </tr> </table>	① A220 4" 45° Down Elbow Cover	1	② A215 Fixing unit	4	③ GB818-85 M4*10 Cross Recessed Pan Head Screw	4
① A220 4" 45° Down Elbow Cover	1								
② A215 Fixing unit	4								
③ GB818-85 M4*10 Cross Recessed Pan Head Screw	4								
<p><b>45° Up Elbow</b> Cod: FR-A207-FO</p> 		<p><b>45° Up Elbow Cover Kit</b> Cod: FR-T219-FO</p>  <p>Remarks: Metal material.</p>	 <table border="0"> <tr> <td>① A219 4" 45° Up Elbow Cover</td> <td>1</td> </tr> <tr> <td>② A215 Fixing unit</td> <td>2</td> </tr> <tr> <td>③ GB818-85 M4*10 Cross Recessed Pan Head Screw</td> <td>2</td> </tr> </table>	① A219 4" 45° Up Elbow Cover	1	② A215 Fixing unit	2	③ GB818-85 M4*10 Cross Recessed Pan Head Screw	2
① A219 4" 45° Up Elbow Cover	1								
② A215 Fixing unit	2								
③ GB818-85 M4*10 Cross Recessed Pan Head Screw	2								
<p><b>90° Down Elbow</b> Cod: FR-A209-FO</p> 		<p><b>90° Down Elbow Cover Kit</b> Cod: FR-T221-FO</p>  <p>Remarks: Metal material.</p>	 <table border="0"> <tr> <td>① A221 4" 90° Down Elbow Cover</td> <td>1</td> </tr> <tr> <td>② A215 Fixing unit</td> <td>4</td> </tr> <tr> <td>③ GB818-85 M4*10 Cross Recessed Pan Head Screw</td> <td>4</td> </tr> </table>	① A221 4" 90° Down Elbow Cover	1	② A215 Fixing unit	4	③ GB818-85 M4*10 Cross Recessed Pan Head Screw	4
① A221 4" 90° Down Elbow Cover	1								
② A215 Fixing unit	4								
③ GB818-85 M4*10 Cross Recessed Pan Head Screw	4								
<p><b>Horizontal Cross</b> Cod: FR-A235-FO</p> 		<p><b>Horizontal Cross Cover</b> Cod: FR-A236-FO</p> 							



4"

Optical Cable Tray

4" (4"×4" 100mm×100mm)



6"

Optical Cable Tray

6" (4" x 6" 100mm x 150mm)

**Straight Section**  
Cod: FR-A319-FO

Remarks: 2 meter/piece \*

**Straight Section Cover Kit**  
Cod: FR-T302-FO

- ① A302 6" Straight Section Cover 2 meter
- ② A303 Hinge 5 pcs
- ③ A301 Fixing knob 5 pcs
- ④ A321 Bolt 5 pcs

**End Cap**  
Cod: FR-A322-FO

Remarks: Metal, used for straight section.

**Connector End Cap**  
Cod: FR-A325-FO

Remarks: Metal, used for connector.

**Connector Kit A**  
Cod: FR-T3161-FO

Remarks: used for straight section

- ① A316 6" Connector 1
- ② A301 Fixing Knob 8
- ③ A321 Bolt 8

**Connector Kit B**  
Cod: FR-T3162

Remarks: used for other parts except straight section.

- ① A316 6" Connector 1
- ② A301 Fixing Knob 8
- ③ A321 Bolt 4
- ④ GB5780-86 M6\*25 Hexagonal Bolt 4
- ⑤ GB79-85M6\*14 Inner Hexagon Screw 4
- ⑥ A304 6" Pull Rod 1

**90° Horizontal Elbow**  
Cod: FR-A315-FO

**90° Horizontal Elbow Cover**  
Cod: FR-A318-FO

**Horizontal T**  
Cod: FR-A317-FO

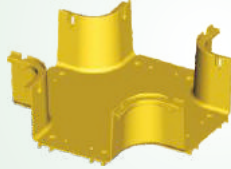
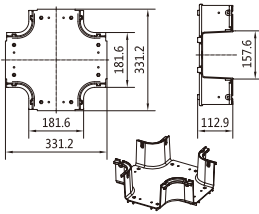

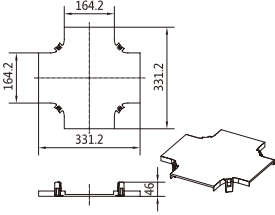

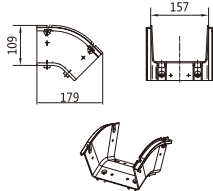
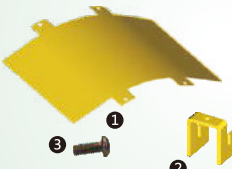
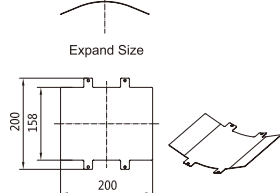

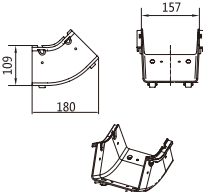
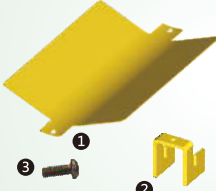
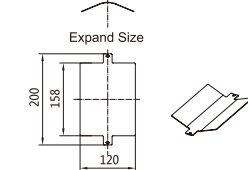

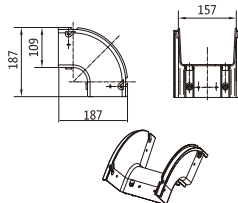
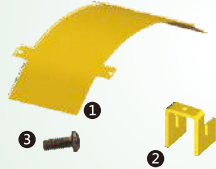
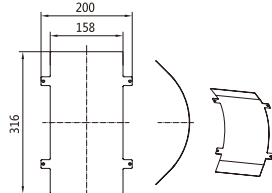

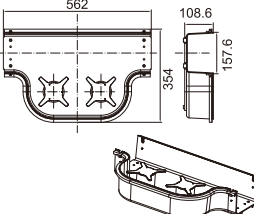

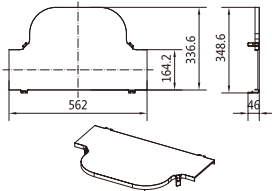
**Horizontal T Cover**  
Cod: FR-A314-FO

\* Other length is available upon request.

6"

### Optical Cable Tray

6" (4" x 6" 100mm x 150mm)

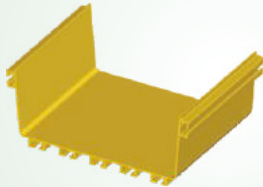
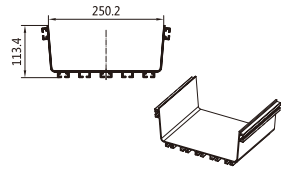
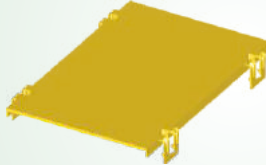
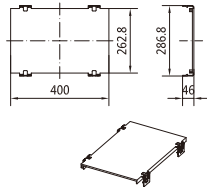

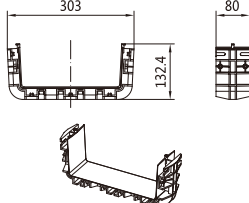
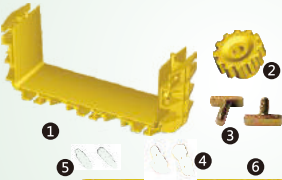
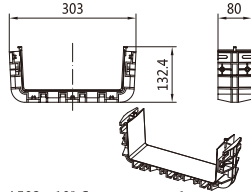

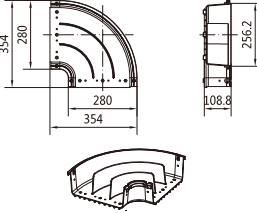

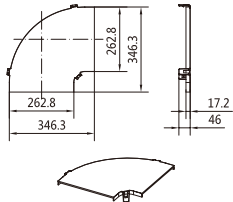

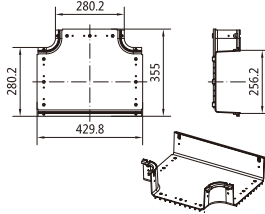

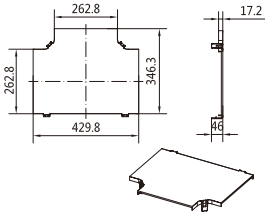
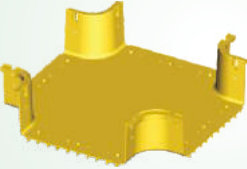
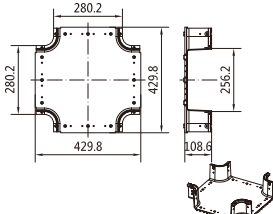

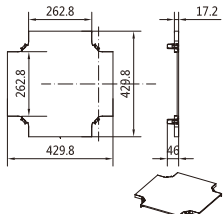
<p><b>Horizontal Cross</b> Cod: FR-A327-FO</p> 		<p><b>Horizontal Cross Cover</b> Cod: FR-A328-FO</p> 							
<p><b>45° Down Elbow</b> Cod: FR-A306-FO</p> 		<p><b>45° Down Elbow Cover Kit</b> Cod: FR-T335-FO</p>  <p>Remarks: Metal material.</p>	<p>Expand Size</p>  <table border="0"> <tr> <td>① A335 6" 45° Down Elbow Cover</td> <td>1</td> </tr> <tr> <td>② A215 Fixing unit</td> <td>4</td> </tr> <tr> <td>③ GB818-85 M4*10 Cross Recessed Pan Head Screw</td> <td>4</td> </tr> </table>	① A335 6" 45° Down Elbow Cover	1	② A215 Fixing unit	4	③ GB818-85 M4*10 Cross Recessed Pan Head Screw	4
① A335 6" 45° Down Elbow Cover	1								
② A215 Fixing unit	4								
③ GB818-85 M4*10 Cross Recessed Pan Head Screw	4								
<p><b>45° Up Elbow</b> Cod: FR-A307-FO</p> 		<p><b>45° Up Elbow Cover Kit</b> Cod: FR-T334-FO</p>  <p>Remarks: Metal material.</p>	<p>Expand Size</p>  <table border="0"> <tr> <td>① A334 6" 45° Up Elbow Cover</td> <td>1</td> </tr> <tr> <td>② A215 Fixing unit</td> <td>2</td> </tr> <tr> <td>③ GB818-85 M4*10 Cross Recessed Pan Head Screw</td> <td>2</td> </tr> </table>	① A334 6" 45° Up Elbow Cover	1	② A215 Fixing unit	2	③ GB818-85 M4*10 Cross Recessed Pan Head Screw	2
① A334 6" 45° Up Elbow Cover	1								
② A215 Fixing unit	2								
③ GB818-85 M4*10 Cross Recessed Pan Head Screw	2								
<p><b>90° Down Elbow</b> Cod: FR-A305-FO</p> 		<p><b>90° Down Elbow Cover Kit</b> Cod: FR-T336-FO</p>  <p>Remarks: Metal material.</p>	 <table border="0"> <tr> <td>① A336 6" 90° Down Elbow Cover</td> <td>1</td> </tr> <tr> <td>② A215 Fixing unit</td> <td>4</td> </tr> <tr> <td>③ GB818-85 M4*10 Cross Recessed Pan Head Screw</td> <td>4</td> </tr> </table>	① A336 6" 90° Down Elbow Cover	1	② A215 Fixing unit	4	③ GB818-85 M4*10 Cross Recessed Pan Head Screw	4
① A336 6" 90° Down Elbow Cover	1								
② A215 Fixing unit	4								
③ GB818-85 M4*10 Cross Recessed Pan Head Screw	4								
<p><b>Storage Tray</b> Cod: FR-T347-FO</p> 		<p><b>Storage Tray Cover</b> Cod: FR-A349-FO</p> 							



10"

### Optical Cable Tray

10" (4" x 10" 100mm x 250mm)

<p><b>Straight Section</b> Cod: FR-A501-FO</p>  <p>Remarks: 2 meter/piece *</p>		<p><b>Straight Section Cover</b> Cod: FR-A510-FO</p>  <p>Remarks: 40 cm/pc, Snap-on Cover.</p>	
<p><b>Connector Kit A</b> Cod: FR-T5021-FO</p>  <p>Remarks: used for straight section</p>	 <p>① A502 10" Connector 1 ② A301 Fixing knob 10 ③ A321 Bolt 10</p>	<p><b>Connector Kit B</b> Cod: FR-T5022-FO</p>  <p>Remarks: used for other parts except straight section</p>	 <p>① A502 10" Connector 1 ② A301 Fixing knob 12 ③ A321 Bolt 6 ④ GB5780-86 M6*25 Hexagonal Bolt 6 ⑤ GB79-85M6*14 Inner Hexagon Screw 6 ⑥ A514 10" Pull Rod 1</p>
<p><b>90° Horizontal Elbow</b> Cod: FR-A513-FO</p> 		<p><b>90° Horizontal Elbow Cover</b> Cod: FR-A512-FO</p> 	
<p><b>Horizontal T</b> Cod: FR-A504-FO</p> 		<p><b>Horizontal T Cover</b> Cod: FR-A507-FO</p> 	
<p><b>Horizontal Cross</b> Cod: FR-A503-FO</p> 		<p><b>Horizontal Cross Cover</b> Cod: FR-A506-FO</p> 	

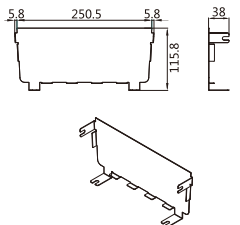
\* Other length is available upon request.

10"

Optical Cable Tray


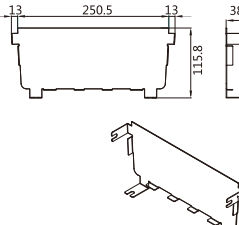
10" (4"×10" 100mm×250mm)

**End Cap**  
Cod: FR-A522-FO

Remarks: Metal, used for straight section.

**Connector End Cap**  
Cod: FR-A529-FO

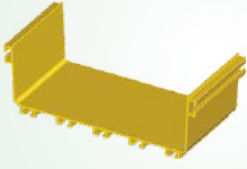
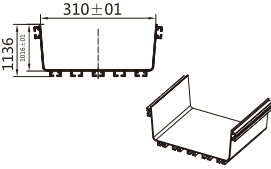
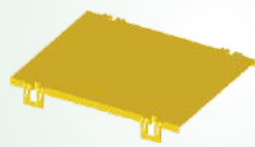
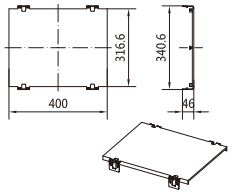
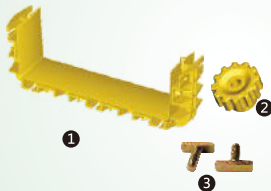
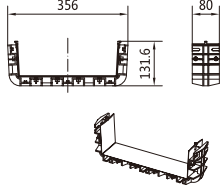
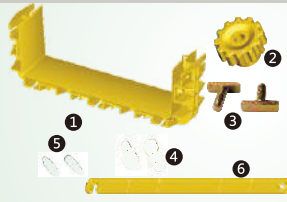
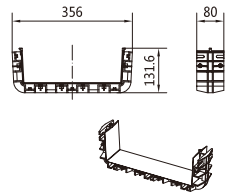

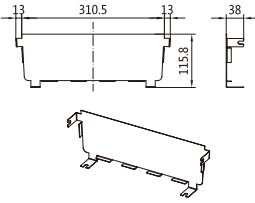

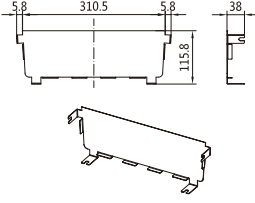

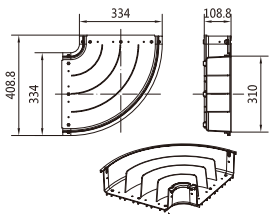

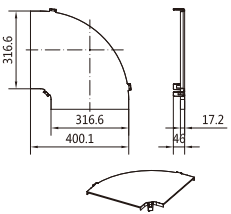

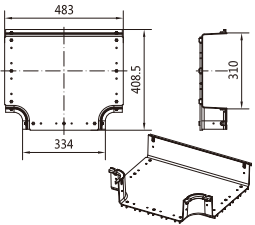

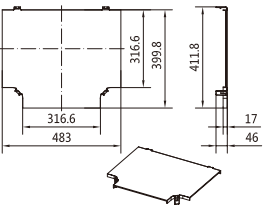



Remarks: Metal, used for connector.

12"

## Optical Cable Tray

12" (4" x 12" 100mm x 300mm)

<p><b>Straight Section</b> Cod: FR-A403-FO</p>  <p>Remarks: 2 meter/piece •</p>		<p><b>Straight Section Cover</b> Cod: FR-A422-FO</p>  <p>Remarks: 40 cm/pc, Snap-on Cover</p>	
<p><b>Connector Kit A</b> Cod: FR-T4281-FO</p>  <p>Remarks: used for straight section</p>	 <p>① A428 12" Connector 1 ② A301 Fixing knob 10 ③ A321 Bolt 10</p>	<p><b>Connector Kit B</b> Cod: FR-T4282-FO</p>  <p>Remarks: used for other parts except straight section</p>	 <p>① A428 12" Connector 1 ② A301 Fixing knob 12 ③ A321 Bolt 6 ④ GB5780-86 M6*25 Hexagonal Bolt 6 ⑤ GB79-85M6*14 Inner Hexagon Screw 6 ⑥ A401 12" Pull Rod 1</p>
<p><b>End Cap</b> Cod: FR-A431-FO</p>  <p>Remarks: Metal, used for straight section.</p>		<p><b>Connector End Cap</b> Cod: FR-A434-FO</p>  <p>Remarks: Metal, used for connector.</p>	
<p><b>90° Horizontal Elbow</b> Cod: FR-A429-FO</p> 		<p><b>90° Horizontal Elbow Cover</b> Cod: FR-A425-FO</p> 	
<p><b>Horizontal T</b> Cod: FR-A417-FO</p> 		<p><b>Horizontal T Cover</b> Cod: FR-A418-FO</p> 	

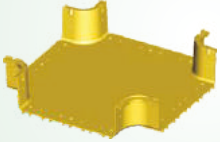
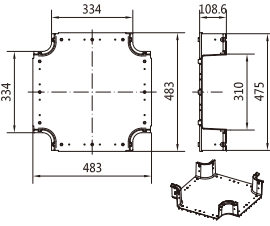

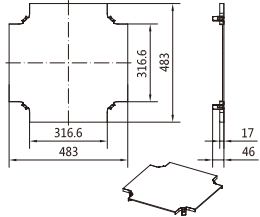
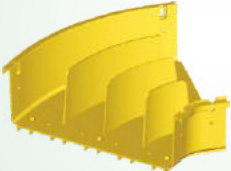
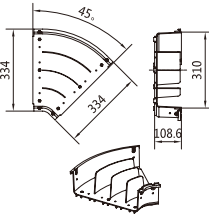

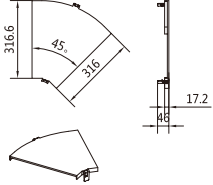

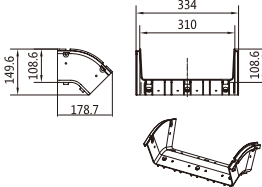
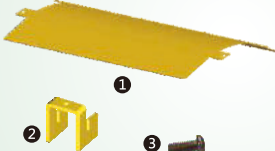
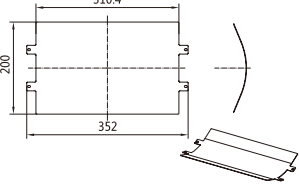

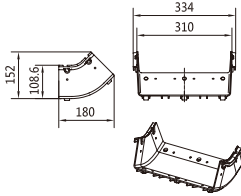
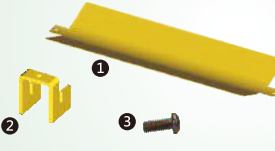
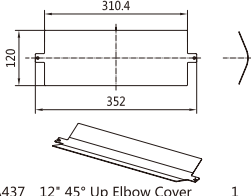

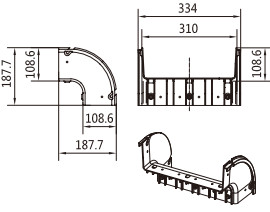
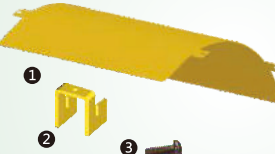
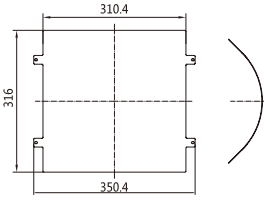
\* Other length is available upon request.



12"

Optical Cable Tray

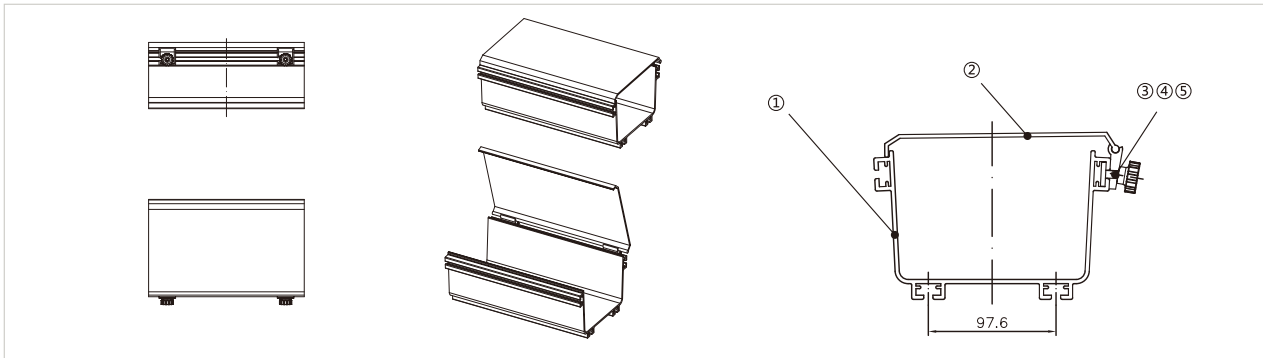
12" (4"×12" 100mm×300mm)

<p><b>Horizontal Cross</b> Cod: FR-A407-FO</p> 		<p><b>Horizontal Cross Cover</b> Cod: FR-A420-FO</p> 							
<p><b>45° Horizontal Elbow</b> Cod: FR-A427-FO</p> 		<p><b>45° Horizontal Elbow Cover</b> Cod: FR-A426-FO</p> 							
<p><b>45° Down Elbow</b> Cod: FR-A405-FO</p> 		<p><b>45° Down Elbow Cover Kit</b> Cod: FR-A438-FO</p>  <p>Remarks: Metal material.</p>	 <table border="0"> <tr> <td>① A438 12" 45° Down Elbow Cover</td> <td>1</td> </tr> <tr> <td>② A215 Fixing unit</td> <td>4</td> </tr> <tr> <td>③ GB818-85 M4*10 Cross Recessed Pan Head Screw</td> <td>4</td> </tr> </table>	① A438 12" 45° Down Elbow Cover	1	② A215 Fixing unit	4	③ GB818-85 M4*10 Cross Recessed Pan Head Screw	4
① A438 12" 45° Down Elbow Cover	1								
② A215 Fixing unit	4								
③ GB818-85 M4*10 Cross Recessed Pan Head Screw	4								
<p><b>45° Up Elbow</b> Cod: FR-A406-FO</p> 		<p><b>45° Up Elbow Cover Kit</b> Cod: FR-T437-FO</p>  <p>Remarks: Metal material.</p>	 <table border="0"> <tr> <td>① A437 12" 45° Up Elbow Cover</td> <td>1</td> </tr> <tr> <td>② A215 Fixing unit</td> <td>2</td> </tr> <tr> <td>③ GB818-85 M4*10 Cross Recessed Pan Head Screw</td> <td>2</td> </tr> </table>	① A437 12" 45° Up Elbow Cover	1	② A215 Fixing unit	2	③ GB818-85 M4*10 Cross Recessed Pan Head Screw	2
① A437 12" 45° Up Elbow Cover	1								
② A215 Fixing unit	2								
③ GB818-85 M4*10 Cross Recessed Pan Head Screw	2								
<p><b>90° Down Elbow</b> Cod: FR-A404-FO</p> 		<p><b>90° Down Elbow Cover Kit</b> Cod: FR-T439-FO</p>  <p>Remarks: Metal material.</p>	 <table border="0"> <tr> <td>① A439 12" 90° Down Elbow Cover</td> <td>1</td> </tr> <tr> <td>② A215 Fixing unit</td> <td>4</td> </tr> <tr> <td>③ GB818-85 M4*10 Cross Recessed Pan Head Screw</td> <td>4</td> </tr> </table>	① A439 12" 90° Down Elbow Cover	1	② A215 Fixing unit	4	③ GB818-85 M4*10 Cross Recessed Pan Head Screw	4
① A439 12" 90° Down Elbow Cover	1								
② A215 Fixing unit	4								
③ GB818-85 M4*10 Cross Recessed Pan Head Screw	4								

## Optical Cable Tray

## Installation Guide

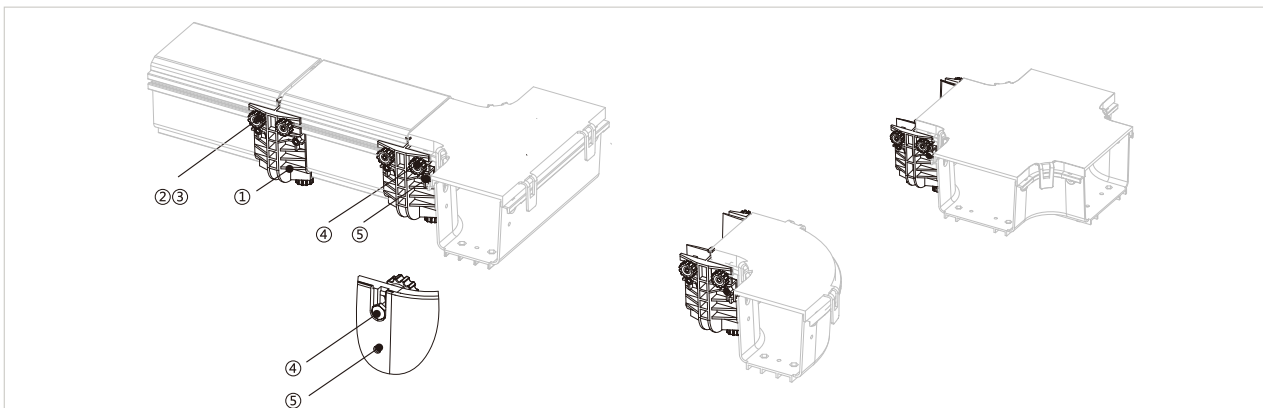
### Straight Section Cover Installation -- 4" & 6"



### Straight Section Cover Kit

	Item	P/N	Part	Quantity		Item	P/N	Part	Quantity
4" Cod: FR-T2002-FO	①		4" Straight Section		6" Cod: FR-T302-FO	①		6" Straight Section	
	②			2 meter		②			2 meter
	③		4" Straight Section Cover Kit	5 pcs		③		6" Straight Section Cover Kit	5 pcs
	④			5 pcs		④			5 pcs
	⑤			5 pcs		⑤			5 pcs

### Connector Installation



### Connector Kit A For Straight Sections

	Item	P/N	Part	Quantity		Item	P/N	Part	Quantity
4" Cod: FR-T2041-FO	①		4" Connector Kit A	1	6" Cod: FR-T3161-FO	①		6" Connector Kit A	1
	②			8		②			8
	③			8		③			8
10" Cod: FR-T5021-FO	①		10" Connector Kit A	1	12" Cod: FR-T4281-FO	①		12" Connector Kit A	1
	②			10		②			10
	③			10		③			10

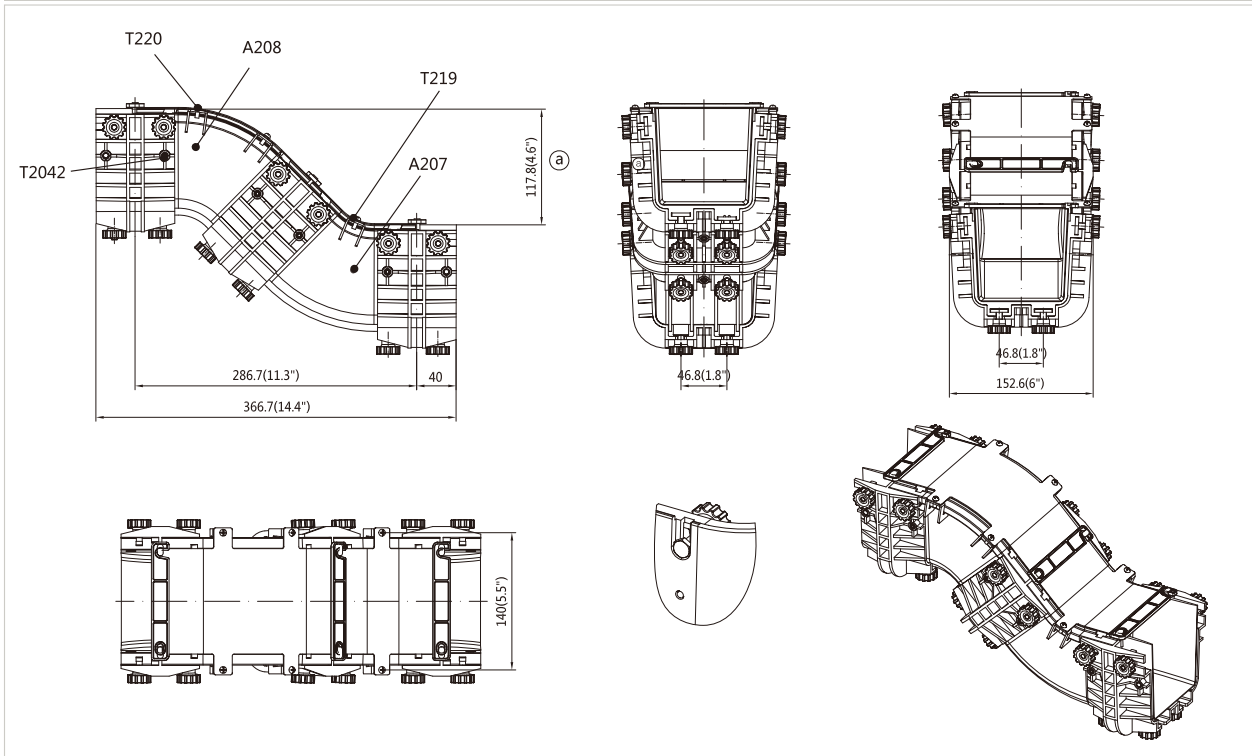
### Connector Kit B For Other Parts

	Item	P/N	Part	Quantity		Item	P/N	Part	Quantity
4" Cod: FR-T2042-FO	①		4" Connector Kit B	1	6" Cod: FR-T3162-FO	①		6" Connector Kit B	1
	②			8		②			8
	③			4		③			4
	④			4		④			4
	⑤			4		⑤			4
10" Cod: FR-T5022-FO	①		10" Connector Kit B	1	12" Cod: FR-T4282-FO	①		12" Connector Kit B	1
	②			12		②			12
	③			6		③			6
	④			6		④			6
	⑤			6		⑤			6

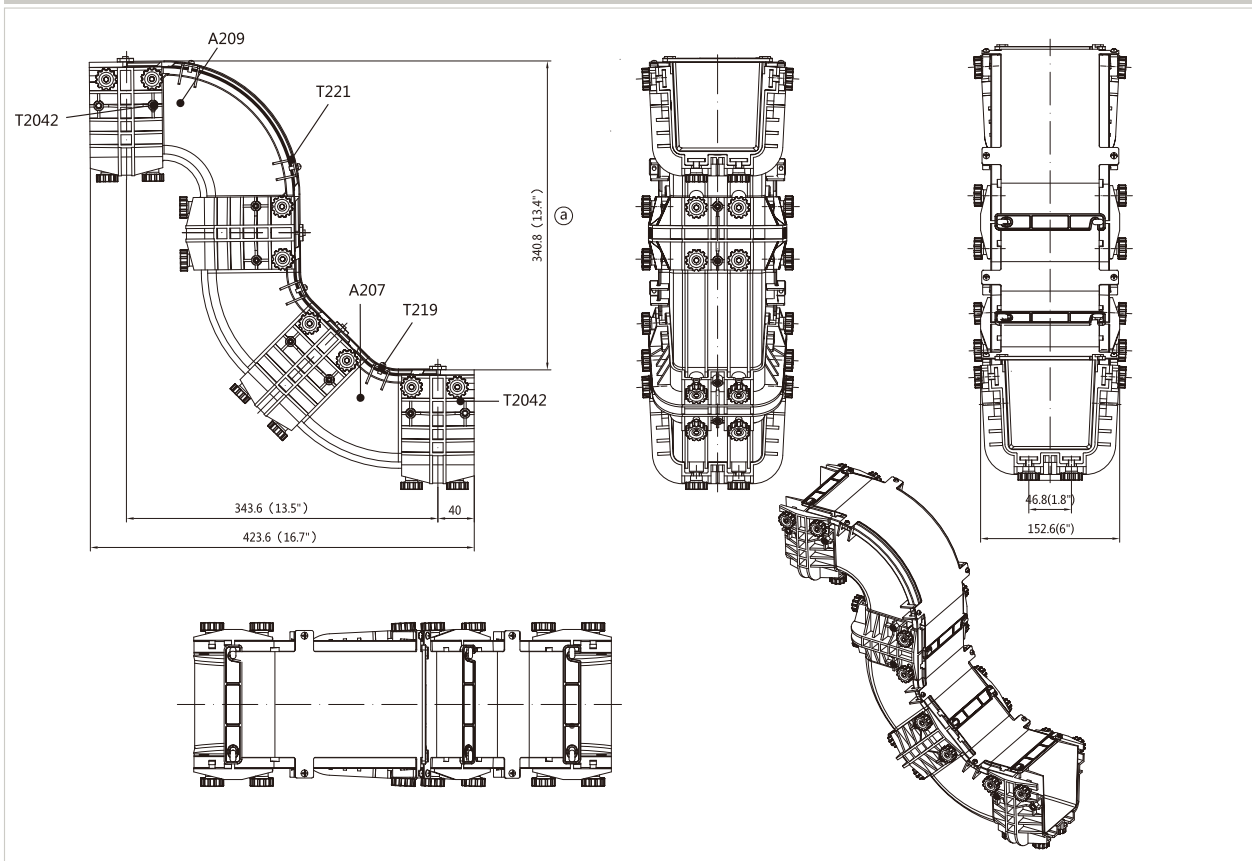
## Optical Cable Tray

## Example

### 45° Climbing Installation (4")



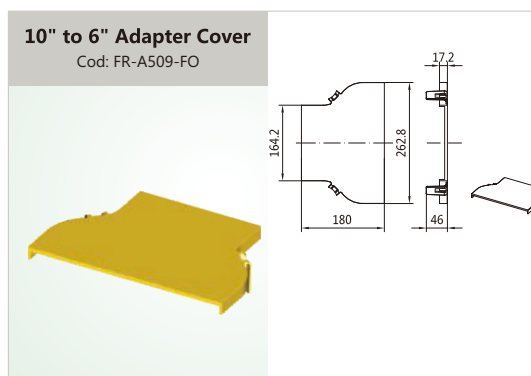
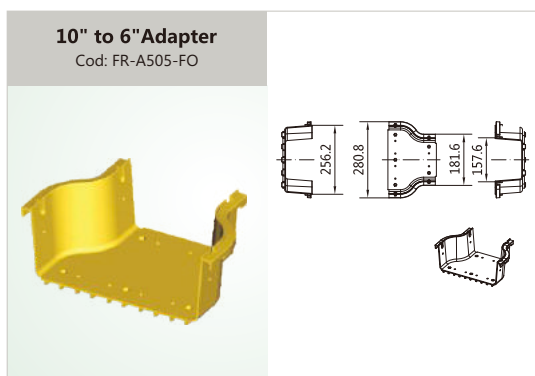
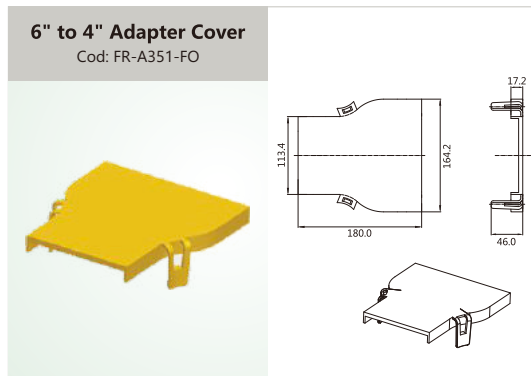
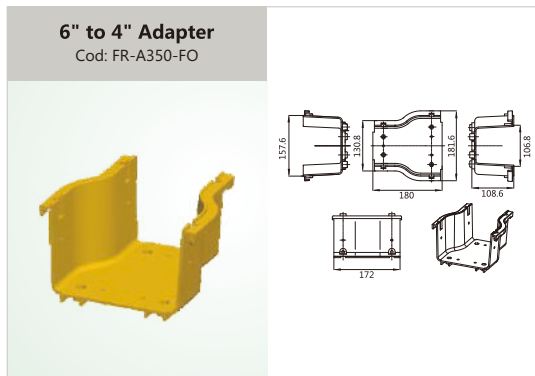
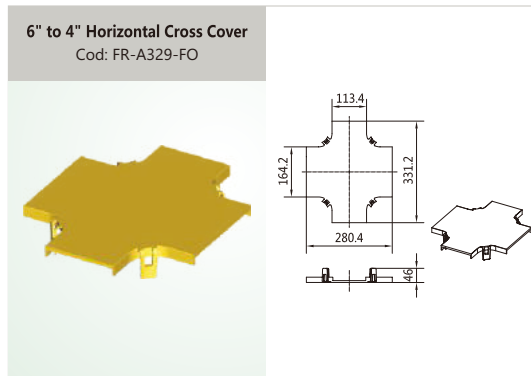
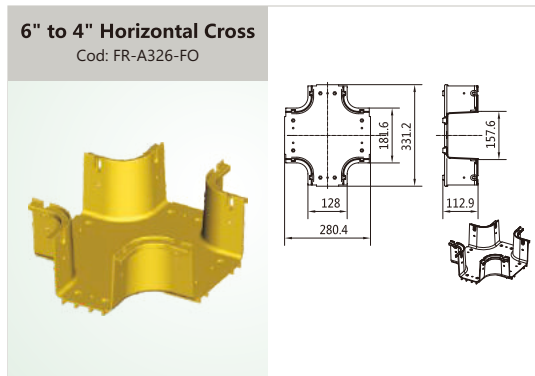
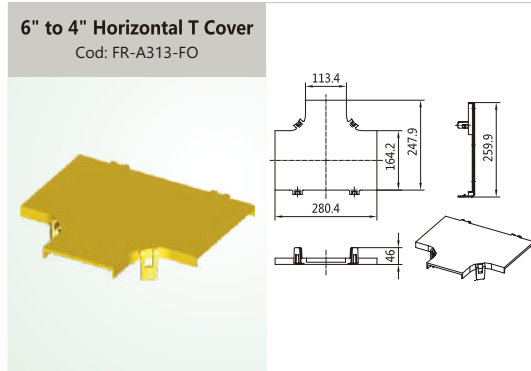
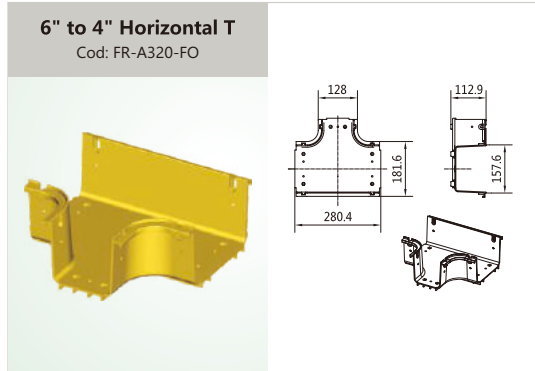
### 90° Climbing Installation (4")





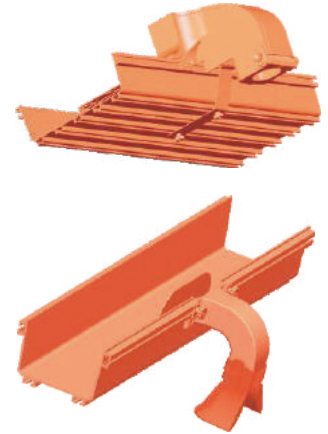
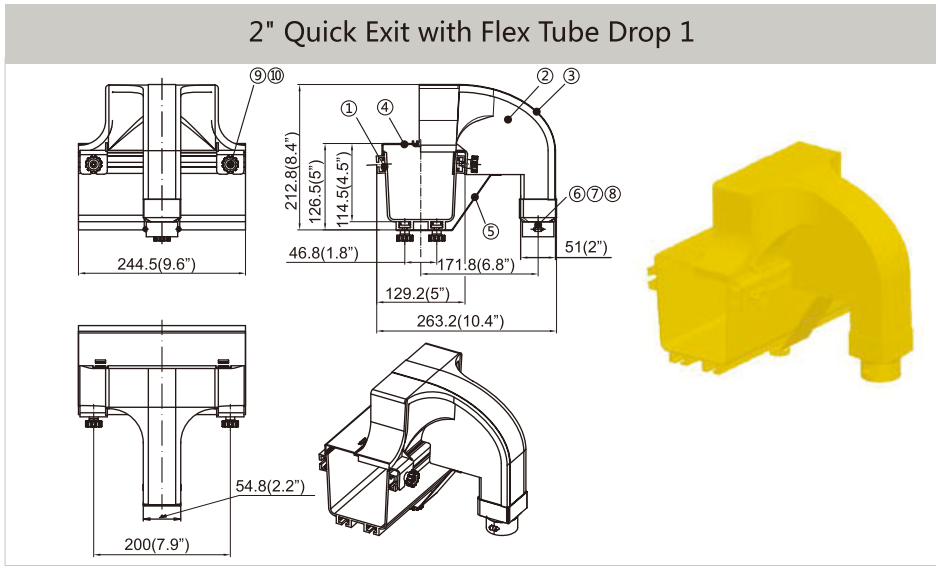
Optical Cable Tray

Hybrid Connector / Adapters



## Optical Cable Tray

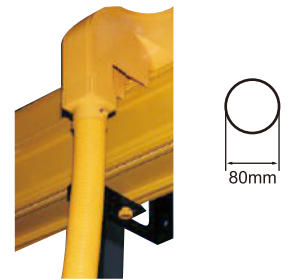
### 2" Quick Exit with Flex Tube Drop 1



#### Exit Kit for 4" Tray Cod: FR-T3091-FO

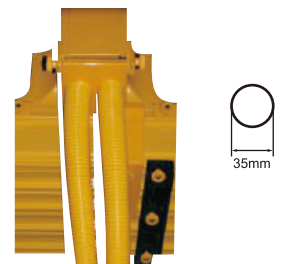
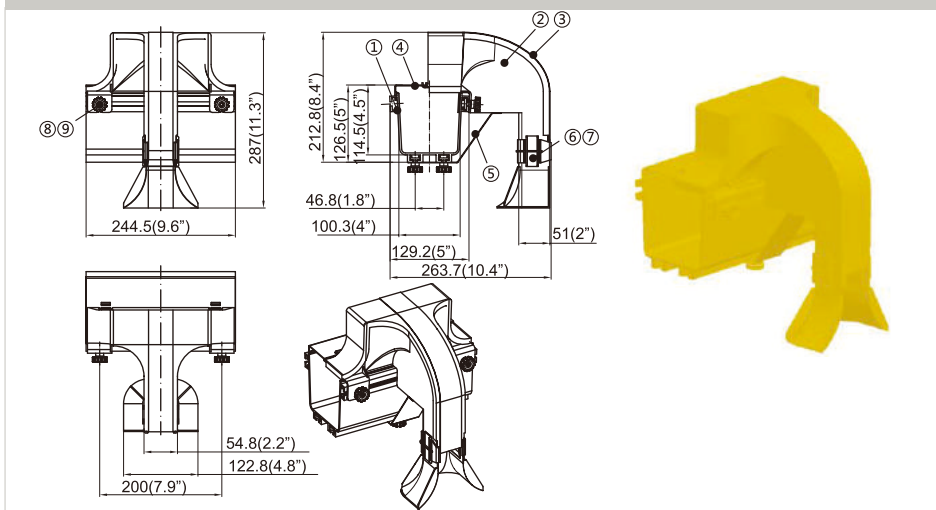
#### Exit Kit for 6" Tray Cod: FR-T3092-FO

Item	P/N	Part	Quantity	Item	P/N	Part	Quantity
①		4" Straight Section	N/A	①		6" Straight Section	N/A
②		2" Quick Exit	1	②		2" Quick Exit	1
③		2" Quick Exit Cover	1	③		2" Quick Exit Cover	1
④		2" Quick Exit End Cover	1	④		2" Quick Exit End Cover	1
⑤		4" Supporting Bracket	1	⑤		6" Supporting Bracket	1
⑥		Splat	1	⑥		Splat	1
⑦		Fiber Exit Connector	1	⑦		Fiber Exit Connector	1
⑧		M3*8Cross Recessed Pan Head Screw	2	⑧		M3*8Cross Recessed Pan Head Screw	2
⑨		Fixing Knob	4	⑨		Fixing Knob	4
⑩		Bolt	4	⑩		Bolt	4



**Flex Tube (diameter: 80mm)**  
Cod: FR-C80-FO

### 2" Quick Exit with Trumpet Flare Drop 1



**Flex Tube (diameter: 35mm)**  
Cod: FR-C35-FO

#### Exit Kit for 4" Tray Cod: FR-T3093-FO

#### Exit Kit for 6" Tray Cod: FR-T3094-FO

Item	P/N	Part	Quantity	Item	P/N	Part	Quantity
①		4" Straight Section	N/A	①		6" Straight Section	N/A
②		2" Quick Exit	1	②		2" Quick Exit	1
③		2" Quick Exit Cover	1	③		2" Quick Exit Cover	1
④		2" Quick Exit End Cover	1	④		2" Quick Exit End Cover	1
⑤		4" Supporting Bracket	1	⑤		6" Supporting Bracket	1
⑥		2" Connector	1	⑥		2" Connector	1
⑦		Trumpet Flare	1	⑦		Trumpet Flare	1
⑧		Fixing Knob	4	⑧		Fixing Knob	4
⑨		Bolt	4	⑨		Bolt	4

Optical Cable Tray

Hybrid Connector / Adapters

**12" to 6" Adapter**  
Cod: FR-A409-FO

**12" to 6" Adapter Cover**  
Cod: FR-A403-FO

**12" to Dual 6" Adapter**  
Cod: FR-A411-FO

**12" to Dual 6" Adapter Cover**  
Cod: FR-A423-FO

**12" to 6" Horizontal T**  
Cod: FR-A408-FO

**12" to 6" Horizontal T Cover**  
Cod: FR-A419-FO

**12" to 6" Horizontal Cross**  
Cod: FR-A410-FO

**12" to 6" Horizontal Cross Cover**  
Cod: FR-A421-FO

**12" to 10" Connector Kit**  
Cod: FR-T445-FO

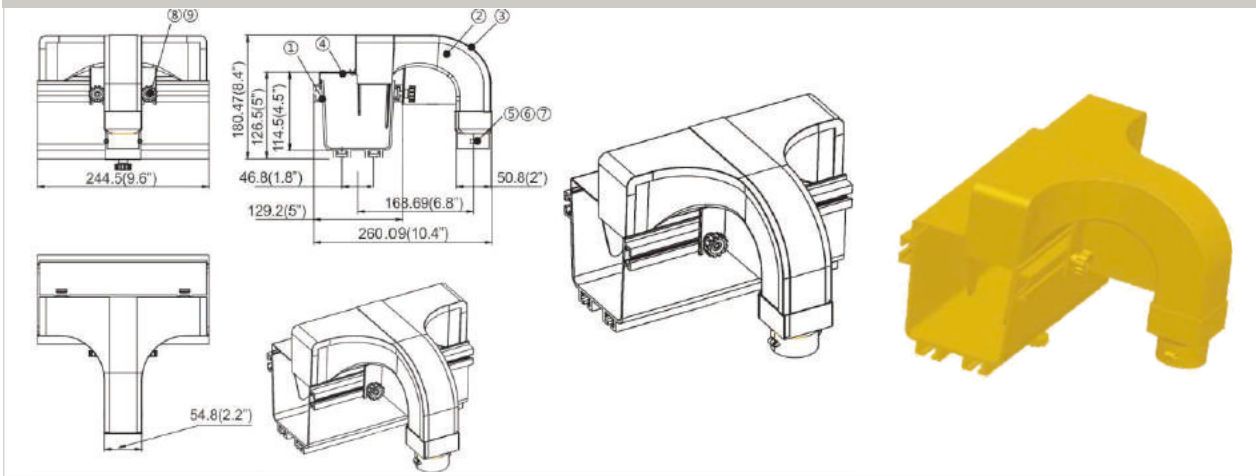
① A445 12" to 10" Connector	1
② A301 Fixing knob	8
③ A321 Bolt	8

2"

Optical Cable Tray

Exit Drop Options

2" Quick Exit with Flex Tube Drop 2



Exit Kit for 4" Tray

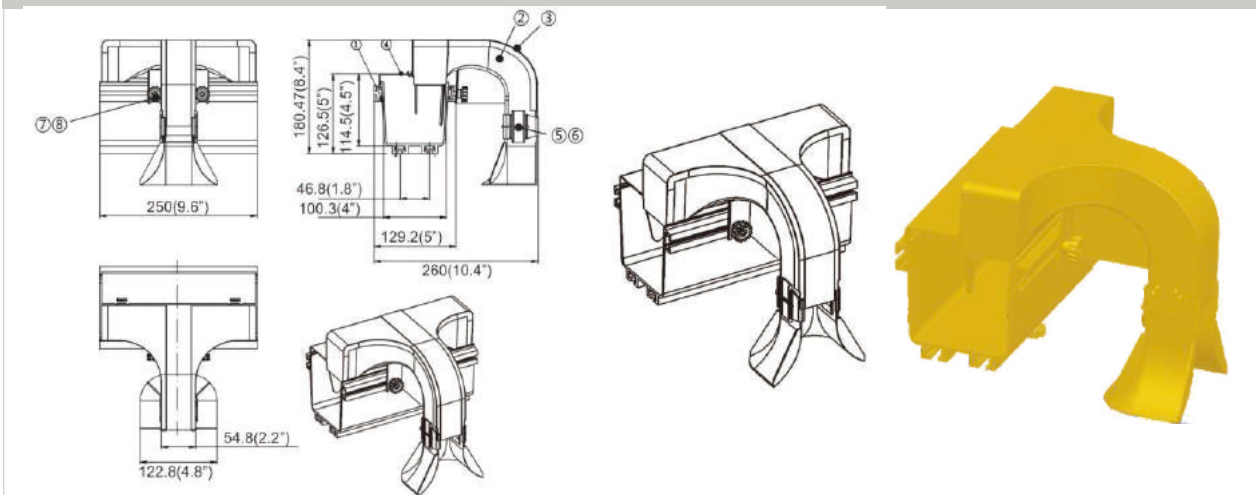
Cod: FR-T2341-FO

Exit Kit for 6" Tray

Cod: FR-T2342-FO

Item	P/N	Part	Quantity	Item	P/N	Part	Quantity
①		4" Straight Section	N/A	①		6" Straight Section	N/A
②		2" Quick Exit	1	②		2" Quick Exit	1
③		2" Quick Exit Cover	1	③		2" Quick Exit Cover	1
④		2" Quick Exit End Cover	1	④		2" Quick Exit End Cover	1
⑤		Splat	1	⑤		Splat	1
⑥		Fiber Exit Connector	1	⑥		Fiber Exit Connector	1
⑦		M3*8Cross Recessed Pan Head Screw	2	⑦		M3*8Cross Recessed Pan Head Screw	2
⑧		Fixing Knob	2	⑧		Fixing Knob	2
⑨		Bolt	2	⑨		Bolt	2

2" Quick Exit with Trumpet Flare Drop 2



Exit Kit for 4" Tray

Cod: FR-T2343-FO

Exit Kit for 6" Tray

Cod: FR-T2344-FO

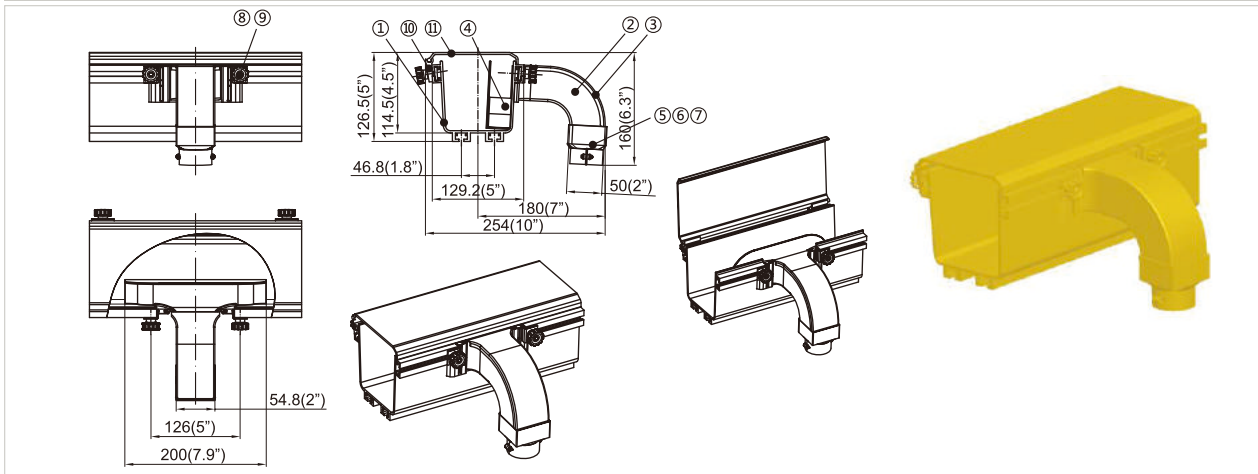
Item	P/N	Part	Quantity	Item	P/N	Part	Quantity
①		4" Straight Section	N/A	①		6" Straight Section	N/A
②		2" Quick Exit	1	②		2" Quick Exit	1
③		2" Quick Exit Cover	1	③		2" Quick Exit Cover	1
④		2" Quick Exit End Cover	1	④		2" Quick Exit End Cover	1
⑤		2" Connector	1	⑤		2" Connector	1
⑥		Trumpet Flare	1	⑥		Trumpet Flare	1
⑦		Fixing Knob	2	⑦		Fixing Knob	2
⑧		Bolt	2	⑧		Bolt	2

2"

Optical Cable Tray

Exit Drop Options

2" Fixed Exit with Flex Tube Drop (required to remove sidewall)



Exit Kit for 4" Tray

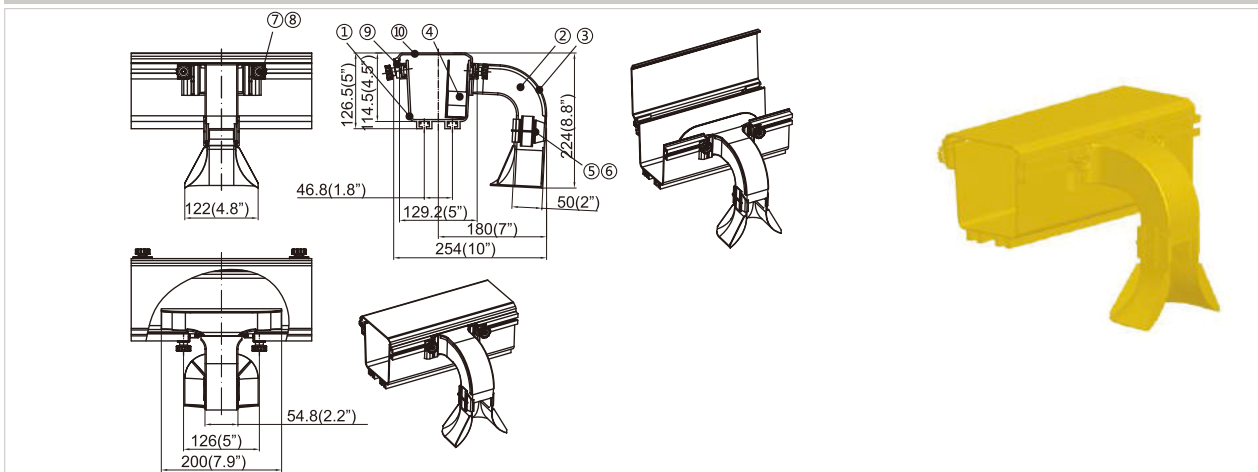
Cod: FR-T1111-FO

Exit Kit for 6" Tray

Cod: FR-T1112-FO

	Item	P/N	Part	Quantity		Item	P/N	Part	Quantity
Cod: FR-T1111-FO	①		4" Straight Section	N/A	Cod: FR-T1112-FO	①		6" Straight Section	N/A
	②		2" Fixed Exit	1		②		2" Fixed Exit	1
	③		2" Fixed Exit Cover	1		③		2" Fixed Exit Cover	1
	④		2" Tray Fiber Runner	1		④		2" Tray Fiber Runner	1
	⑤		Splat	1		⑤		Splat	1
	⑥		Flex tube attachment	1		⑥		Flex tube attachment	1
	⑦		Fixing Knob	2		⑦		Fixing Knob	2
	⑧		Bolt	2		⑧		Bolt	2
	⑨		Hinge			⑨		Hinge	
	⑩		4" Straight Section Cover			⑩		6" Straight Section Cover	

2" Fixed Exit With Trumpet Flare Drop (required to remove sidewall)



Exit Kit for 4" Tray

Cod: FR-T1113-FO

Exit Kit for 6" Tray

Cod: FR-T1114-FO

	Item	P/N	Part	Quantity		Item	P/N	Part	Quantity
Cod: FR-T1113-FO	①		4" Straight Section	N/A	Cod: FR-T1114-FO	①		6" Straight section	N/A
	②		2" Fixed Exit	1		②		2" Fixed Exit	1
	③		2" Fixed Exit Cover	1		③		2" Fixed Exit Cover	1
	④		2" Tray Fiber Runner	1		④		2" Tray Fiber Runner	1
	⑤		2" Connector	1		⑤		2" Connector	1
	⑥		Trumpet Flare	1		⑥		Trumpet Flare	1
	⑦		Fixing Knob	2		⑦		Fixing Knob	2
	⑧		Bolt	2		⑧		Bolt	2
	⑨		Hinge	N/A		⑨		Hinge	N/A
	⑩		4" Straight Section Cover	N/A		⑩		6" Straight Section Cover	N/A

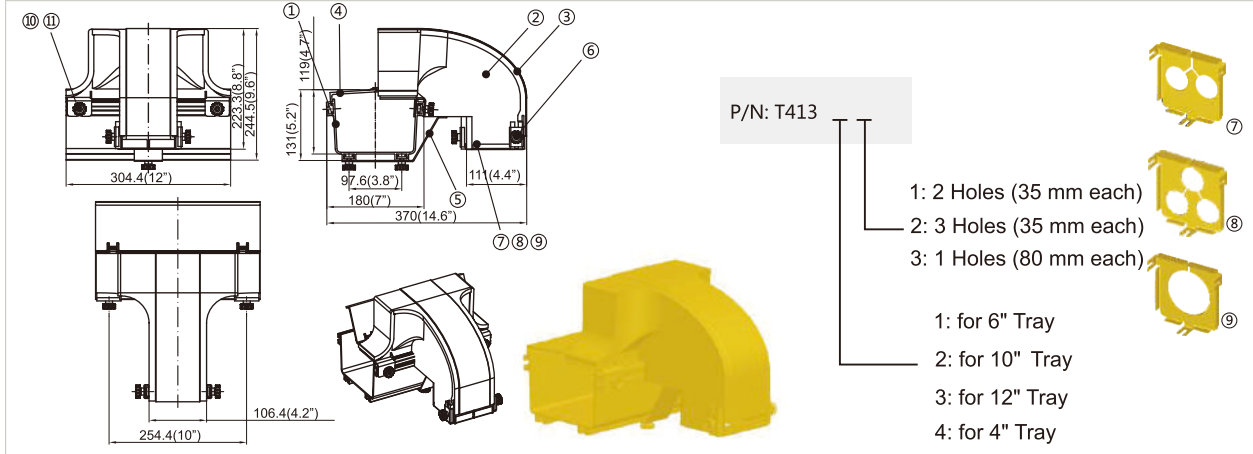


4"

Optical Cable Tray

Exit Drop Options

## 4" Quick Exit with Flex Tube Drop 1



### Exit Kit for 4" Tray Cod: FR-T413-FO

Item	P/N	Part	Quantity
①		4" Straight Section	N/A
②		4" Quick Exit	1
③		4" Quick Exit Cover	1
④		4" to 4" Exit Cover	1
⑤		4" Supporting Bracket	1
⑥		Lock Washer	3
⑦		4" Fiber Board (1)	1
⑧		4" Fiber Board (2)	1
⑨		4" Fiber Board (3)	1
⑩		Fixing Knob	7
⑪		Bolt	7

### Exit Kit for 6" Tray Cod: FR-T413-FO

Item	P/N	Part	Quantity
①		6" Straight Section	N/A
②		4" Quick Exit	1
③		4" Quick Exit Cover	1
④		4" Quick Exit End Cover	1
⑤		6" Supporting Bracket	1
⑥		Lock Washer	3
⑦		4" Fiber Board (1)	Choose one
⑧		4" Fiber Board (2)	
⑨		4" Fiber Board (3)	
⑩		Fixing Knob	7
⑪		Bolt	7

### Exit Kit for 10" Tray Cod: FR-T413-FO

Item	P/N	Part	Quantity
①		10" Straight Section	N/A
②		4" Quick Exit	1
③		4" Quick Exit Cover	1
④		4" Quick Exit End Cover	1
⑤		10" Supporting Bracket	1
⑥		Lock Washer	3
⑦		4" Fiber Board (1)	Choose one
⑧		4" Fiber Board (2)	
⑨		4" Fiber Board (3)	
⑩		Fixing Knob	7
⑪		Bolt	7

### Exit Kit for 12" Tray Cod: FR-T413-FO

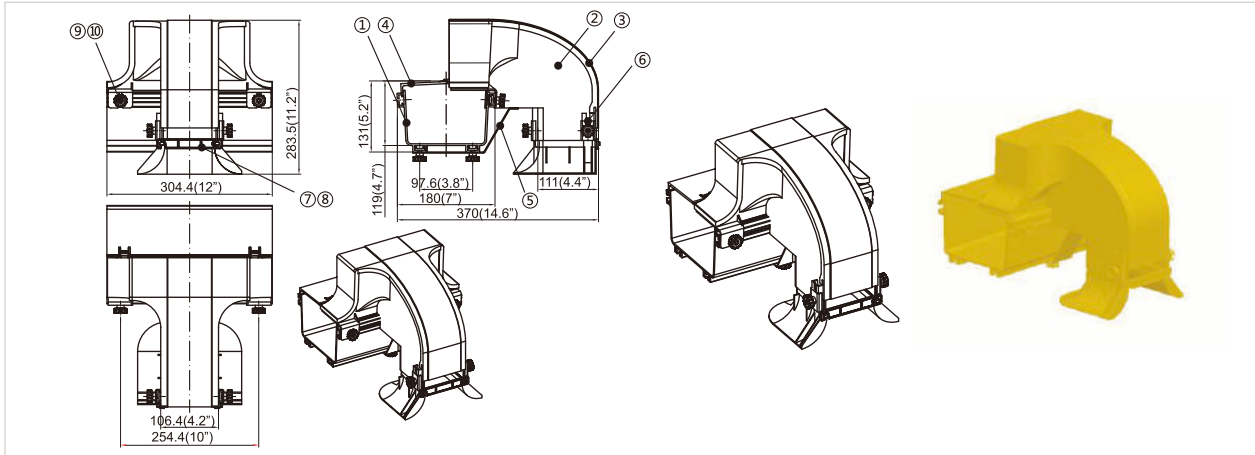
Item	P/N	Part	Quantity
①		12" Straight Section	N/A
②		4" Quick Exit	1
③		4" Quick Exit Cover	1
④		4" Quick Exit End Cover	1
⑤		12" Supporting Bracket	1
⑥		Lock Washer	3
⑦		4" Fiber Board (1)	Choose one
⑧		4" Fiber Board (2)	
⑨		4" Fiber Board (3)	
⑩		Fixing Knob	7
⑪		Bolt	7

4"

Optical Cable Tray

Exit Drop Options

### 4" Quick Exit with Trumpet Flare Drop 1



#### Exit Kit for 4" Tray

Cod: FR-T41344-FO

#### Exit Kit for 6" Tray

Cod: FR-T41314-FO

	Item	P/N	Part	Quantity		Item	P/N	Part	Quantity
Cod: FR-T41344-FO	①		4" Straight Section	N/A	Cod: FR-T41314-FO	①		6" Straight Section	N/A
	②		4" Quick Exit	1		②		4" Quick Exit	1
	③		4" Quick Exit Cover	1		③		4" Quick Exit Cover	1
	④		4" to 4" Exit Cover	1		④		4" Quick Exit End Cover	1
	⑤		4" Supporting Bracket	1		⑤		6" Supporting Bracket	1
	⑥		Lock Washer	3		⑥		Splat	3
	⑦		4" Trumpet Flare	1		⑦		4" Trumpet Flare	1
	⑧		4" Pull Rod	1		⑧		4" Pull Rod	1
	⑨		Fixing Knob	7		⑨		Fixing Knob	7
	⑩		Bolt	7		⑩		Bolt	7

#### Exit Kit for 10" Tray

Cod: FR-T41324-FO

#### Exit Kit for 12" Tray

Cod: FR-T41334-FO

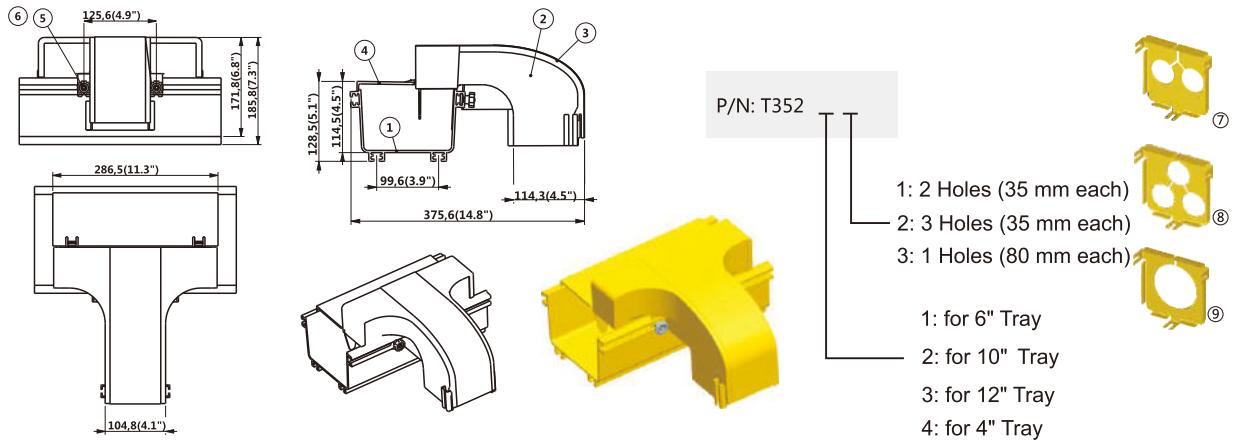
	Item	P/N	Part	Quantity		Item	P/N	Part	Quantity
Cod: FR-T41324-FO	①		10" Straight Section	N/A	Cod: FR-T41334-FO	①		12" Straight Section	N/A
	②		4" Quick Exit	1		②		4" Quick Exit	1
	③		4" Quick Exit Cover	1		③		4" Quick Exit Cover	1
	④		4" Quick Exit End Cover	1		④		4" Quick Exit End Cover	1
	⑤		10" Supporting Bracket	1		⑤		12" Supporting Bracket	1
	⑥		Splat	3		⑥		Lock Washer	3
	⑦		4" Trumpet Flare	1		⑦		4" Trumpet Flare	1
	⑧		4" Pull Rod	1		⑧		4" Pull Rod	1
	⑨		Fixing Knob	7		⑨		Fixing Knob	7
	⑩		Bolt	7		⑩		Bolt	7

4"

Optical Cable Tray

Exit Drop Options

## 4" Quick Exit with Flex Tube Drop 2



### Exit Kit for 4" Tray Cod: FR-T352-FO

Item	P/N	Part	Quantity
①		4" Straight Section	N/A
②		4" Quick Exit	1
③		4" Quick Exit Cover	1
④		4" to 4" Exit Cover	1
⑤		Lock Washer	3
⑥		4" Fiber Board (1)	1
⑦		4" Fiber Board (2)	1
⑧		4" Fiber Board (3)	1
⑨		Fixing Knob	5
⑩		Bolt	5

### Exit Kit for 6" Tray Cod: FR-T352-FO

Item	P/N	Part	Quantity
①		6" Straight Section	N/A
②		4" Quick Exit	1
③		4" Quick Exit Cover	1
④		6" to 4" Exit Cover	1
⑤		Lock Washer	3
⑥		4" Fiber Board (1)	Choose one
⑦		4" Fiber Board (2)	
⑧		4" Fiber Board (3)	
⑨		Fixing Knob	5
⑩		Bolt	5

### Exit Kit for 10" Tray Cod: FR-T352-FO

Item	P/N	Part	Quantity
①		10" Straight Section	N/A
②		4" Quick Exit	1
③		4" Quick Exit Cover	1
④			
⑤			
⑥		Lock Washer	3
⑦		4" Fiber Board (1)	Choose one
⑧		4" Fiber Board (2)	
⑨		4" Fiber Board (3)	
⑩		Fixing Knob	5
⑪		Bolt	5

### Exit Kit for 12" Tray Cod: FR-T352-FO

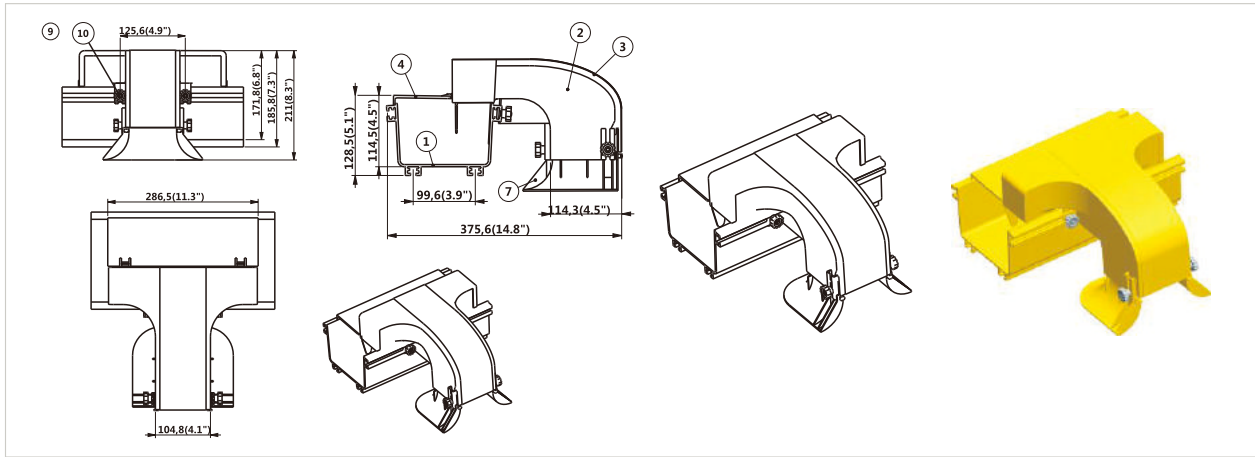
Item	P/N	Part	Quantity
①		12" Straight Section	N/A
②		4" Quick Exit	1
③		4" Quick Exit Cover	1
④			
⑤			
⑥		Lock Washer	3
⑦		4" Fiber Board (1)	Choose one
⑧		4" Fiber Board (2)	
⑨		4" Fiber Board (3)	
⑩		Fixing Knob	5
⑪		Bolt	5

4"

Optical Cable Tray

Exit Drop Options

## 4" Quick Exit with Trumpet Flare Drop 2



### Exit Kit for 4" Tray Cod: FR-T35244-FO

Item	P/N	Part	Quantity
①		4" Straight Section	N/A
②		4" Quick Exit	1
③		4" Quick Exit Cover	1
④		4" to 4" Exit Cover	1
⑤		Lock Washer	3
⑥		4" Trumpet Flare	1
⑦		4" Pull Rod	1
⑧		Fixing Knob	5
⑨		Bolt	5

### Exit Kit for 6" Tray Cod: FR-T35214-FO

Item	P/N	Part	Quantity
①		6" Straight Section	N/A
②		4" Quick Exit	1
③		4" Quick Exit Cover	1
④		6" to 4" Exit Cover	1
⑤		Lock Washer	3
⑥		4" Trumpet Flare	1
⑦		4" Pull Rod	1
⑧		Fixing Knob	5
⑨		Fixing Knob	5
⑩		Bolt	5

### Exit Kit for 10" Tray Cod: FR-T35224-FO

Item	P/N	Part	Quantity
①		10" Straight Section	N/A
②		4" Quick Exit	1
③		4" Quick Exit Cover	1
④			
⑤			
⑥		Lock Washer	3
⑦		4" Trumpet Flare	1
⑧		4" Pull Rod	1
⑨		Fixing Knob	5
⑩		Bolt	5

### Exit Kit for 12" Tray Cod: FR-T35234-FO

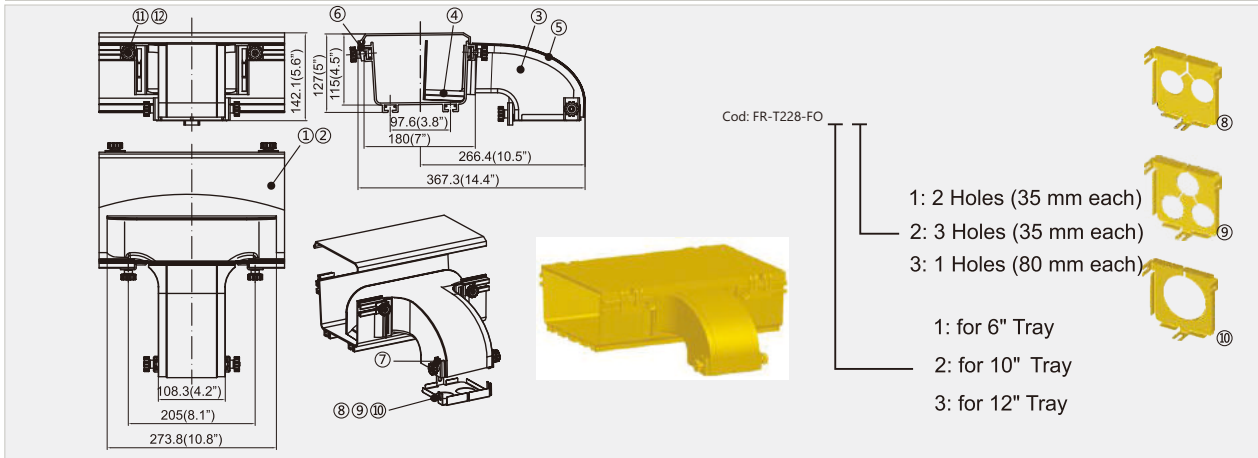
Item	P/N	Part	Quantity
①		12" Straight Section	N/A
②		4" Quick Exit	1
③		4" Quick Exit Cover	1
④			
⑤			
⑥		Lock Washer	3
⑦		4" Trumpet Flare	1
⑧		4" Pull Rod	1
⑨		Fixing Knob	5
⑩		Bolt	5

4"

Optical Cable Tray

Exit Drop Options

4" Fixed Exit with Flex Tube Drop (required to remove sidewall)



Exit Kit for 6" Tray

Cod: FR-T228-FO

Exit Kit for 10" Tray

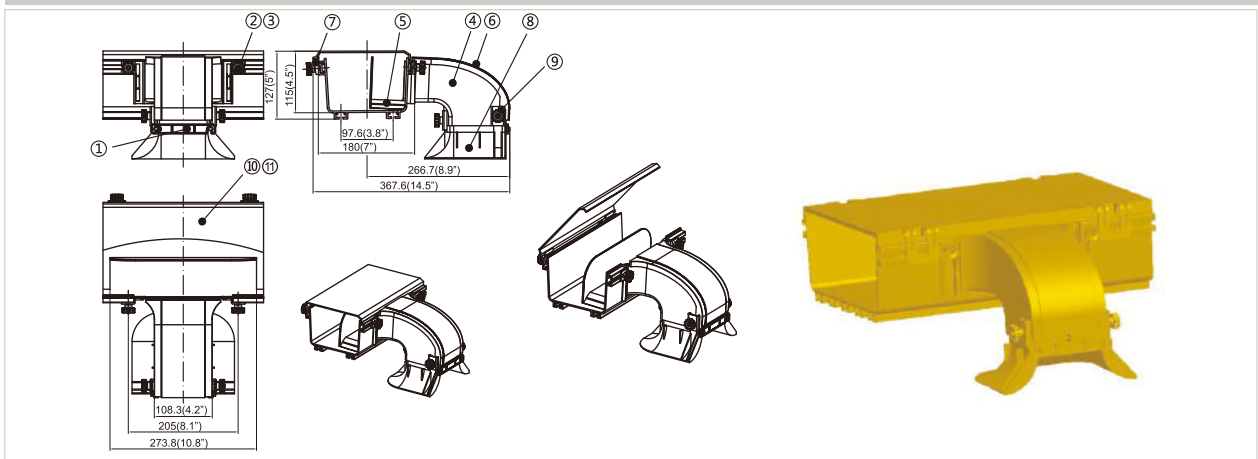
Cod: FR-T228-FO

Exit Kit for 12" Tray

Cod: FR-T228-FO

Item	P/N	Part	Quantity	Item	P/N	Part	Quantity	Item	P/N	Part	Quantity
①		6" Straight Section	N/A	①		10" Straight Section	N/A	①		12" Straight Section	N/A
②		6" Straight Section Cover	N/A	②		10" Straight Section Cover	N/A	②		12" Straight Section Cover	N/A
③		4" Fixed Exit	1	③		4" Fixed Exit	1	③		4" Fixed Exit	1
④		4" Tray Fiber Runner	1	④		4" Tray Fiber Runner	1	④		4" Tray Fiber Runner	1
⑤		4" Fixed Exit Cover	1	⑤		4" Fixed Exit Cover	1	⑤		4" Fixed Exit Cover	1
⑥		Hinge	2	⑦		lock washer	3	⑦		lock washer	3
⑦		lock washer	3	⑧		4" Fiber Board (1)	Choose one	⑧		4" Fiber Board (1)	Choose one
⑧		4" Fiber Board (1)	Choose one	⑨		4" Fiber Board (2)		⑨		4" Fiber Board (2)	
⑨		4" Fiber Board (2)		⑩		4" Fiber Board (3)		⑩		4" Fiber Board (3)	
⑩		4" Fiber Board (3)		⑪		Fixing Knob	5	⑪		Fixing Knob	5
⑪		Fixing Knob	5	⑫		Bolt	5	⑫		Bolt	5
⑫		Bolt	5								

4" Fixed Express Exit With Trumpet Flare



Exit Kit for 6" Tray

Cod: FR-T22814-FO

Exit Kit for 10" Tray

Cod: FR-T22824-FO

Exit Kit for 12" Tray

Cod: FR-T22834-FO

Item	P/N	Part	Quantity	Item	P/N	Part	Quantity	Item	P/N	Part	Quantity
①		4" Pull Rod	1	①		4" Pull Rod	1	①		4" Pull Rod	1
②		Fixing Knob	5	②		Fixing Knob	5	②		Fixing Knob	5
③		Bolt	5	③		Bolt	5	③		Bolt	5
④		4" Fixed Exit	1	④		4" Fixed Exit	1	④		4" Fixed Exit	1
⑤		4" Tray Fiber Runner	1	⑤		4" Tray Fiber Runner	1	⑤		4" Tray Fiber Runner	1
⑥		4" Fixed Exit Cover	1	⑥		4" Fixed Exit Cover	1	⑥		4" Fixed Exit Cover	1
⑦		Hinge	1	⑦		Hinge	1	⑦		Hinge	1
⑧		Trumpet Flare	1	⑧		Trumpet Flare	1	⑧		Trumpet Flare	1
⑨		Lock Washer	3	⑨		Lock Washer	3	⑨		Lock Washer	3
⑩		6" Straight Section	N/A	⑩		10" Straight Section	N/A	⑩		12" Straight Section	N/A
⑪		6" Straight Section Cover	N/A	⑪		10" Straight Section Cover	N/A	⑪		12" Straight Section Cover	N/A

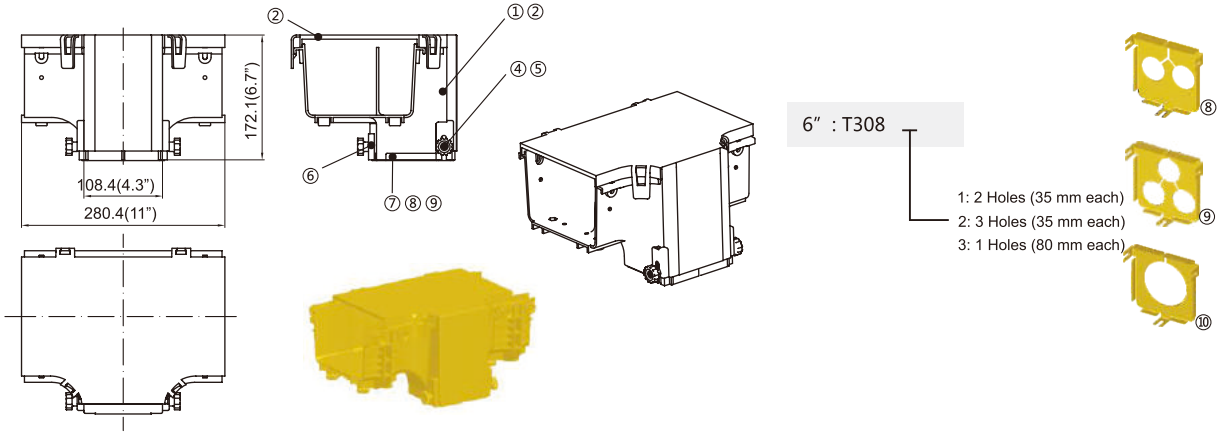


4"

Optical Cable Tray

Exit Drop Options

Downspout with Flex Tube

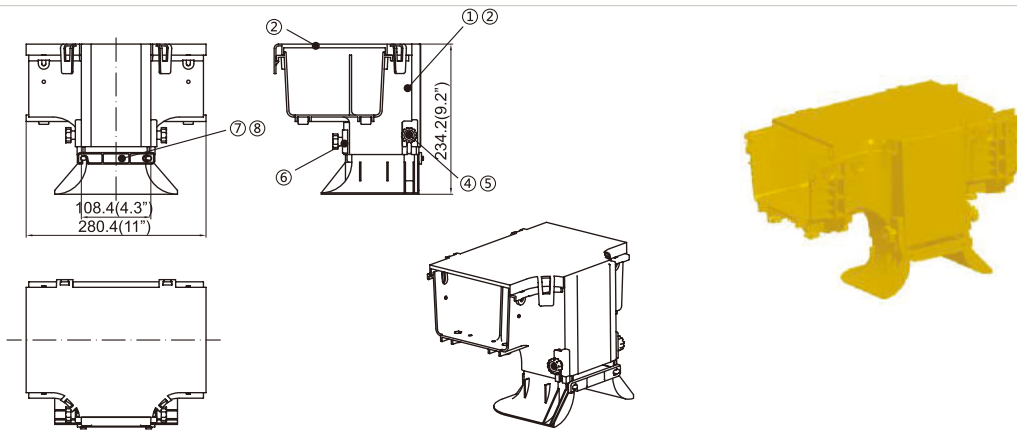


Downspout for 6" Tray

Cod: FR-T308-FO

	Item	P/N	Part	Quantity
Cod: FR-T308-FO	①		6" Downspout	1
	②		6" Fiber Splitting Excess/Exit tray Front Cover	1
	③			
	④		Fixing Knob	3
	⑤		Bolt	3
	⑥		Lock Washer	3
	⑦		4" Fiber Board (1)	Choose one
	⑧		4" Fiber Board (2)	
	⑨		4" Fiber Board (3)	

Downspout with Trumpet Flare



Downspout for 6" Tray

Cod: FR-T3084-FO

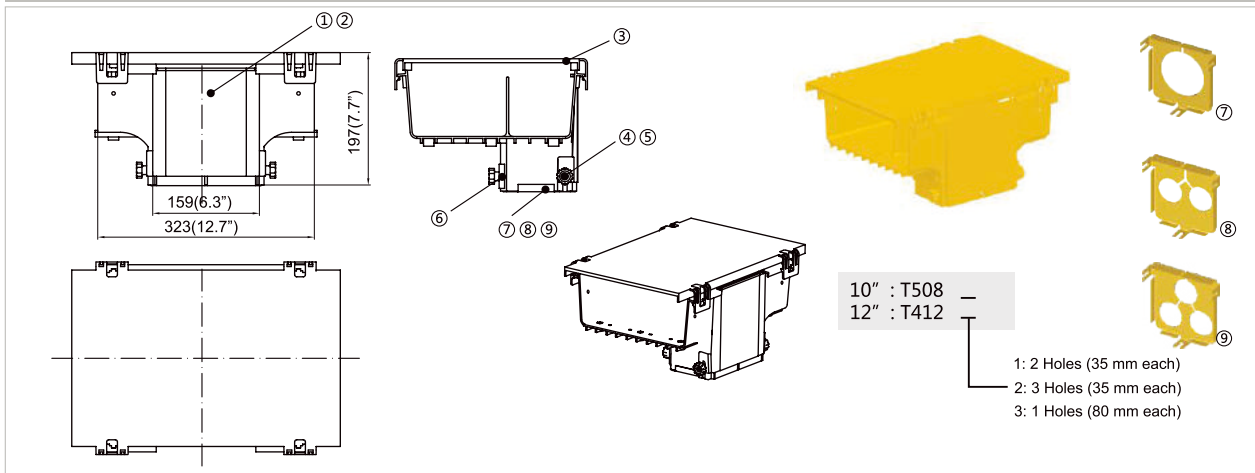
	Item	P/N	Part	Quantity
Cod: FR-T3084-FO	①		6" Downspout	1
	②		6" downspout front cover	1
	③			
	④		Fixing Knob	3
	⑤		Bolt	3
	⑥		Lock Washer	1
	⑦		4" Pull Rod	1
	⑧		4" Trumpet Flare	1

6"

Optical Cable Tray

Exit Drop Options

Downspout with Flex Tube



Downspout for 10" Tray

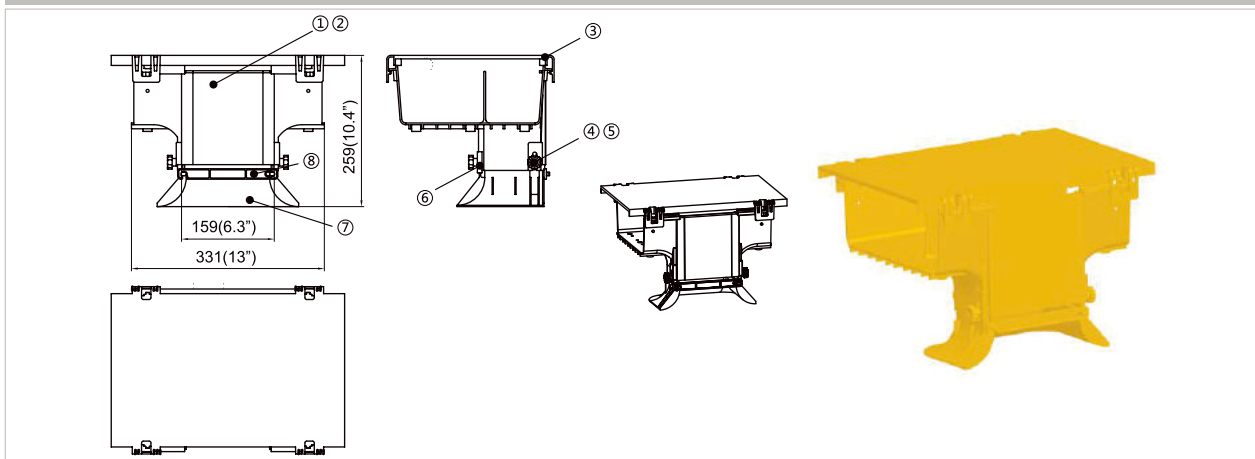
Cod: FR-T508-FO

Downspout for 12" Tray

Cod: FR-T412-FO

	Item	P/N	Part	Quantity		Item	P/N	Part	Quantity
Cod: FR-T508-FO	①		10" Downspout	1	Cod: FR-T412-FO	①		12" Downspout	1
	②		12" Downspout Front Cover	1		②		12" Downspout Front Cover	1
	③		10" Straight Section Cover	1		③		12" Straight Section Cover	1
	④		Fixing Knob	4		④		Fixing Knob	4
	⑤		Bolt	4		⑤		Bolt	4
	⑥		Lock Washer	4		⑥		Lock Washer	4
	⑦		12" Fiber Board (1)	Choose one		⑦		12" Fiber Board (1)	Choose one
	⑧		12" Fiber Board (2)			⑧		12" Fiber Board (2)	
	⑨		12" Fiber Board (3)			⑨		12" Fiber Board (3)	

Downspout with Trumpet Flare



Downspout for 10" Tray

Cod: FR-T50824-FO

Downspout for 12" Tray

Cod: FR-T4124-FO

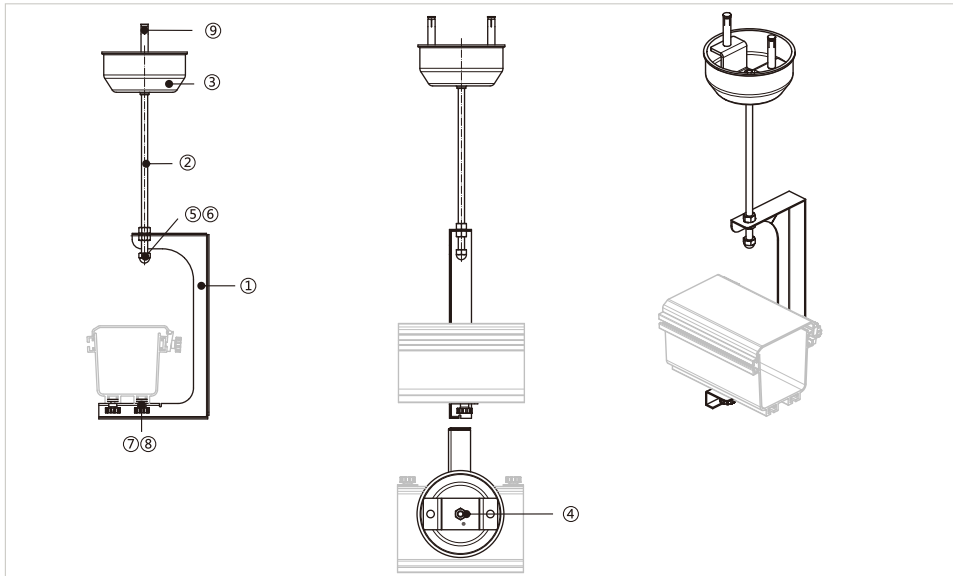
	Item	P/N	Part	Quantity		Item	P/N	Part	Quantity
Cod: FR-T50824-FO	①		10" Downspout	1	Cod: FR-T4124-FO	①		12" Downspout	1
	②		12" Downspout Front Cover	1		②		12" Downspout Front Cover	1
	③		10" Straight Section Cover	1		③		12" Straight Section Cover	1
	④		Fixing Knob	4		④		Fixing Knob	4
	⑤		Bolt	4		⑤		Bolt	4
	⑥		Lock Washer	4		⑥		Lock Washer	4
	⑦		6" Trumpet flare	1		⑦		6" Trumpet flare	1
	⑧		6" Pull rod	1		⑧		6" Pull rod	1

\*Cod: FR-T50824-FO in previous version

## Optical Cable Tray

## Supporting System

### Anchor Support



### Installation / Supporting Systems

- Anchor Support
- Trapeze Support
- Top of Rack/Cabinet Support
- Auxiliary Framing support
- Side Bracing Support

### Installation Parts

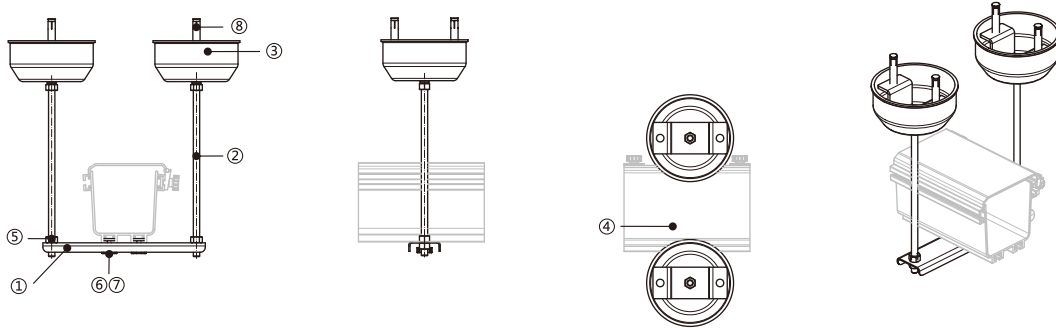
	Item	P/N	Part	Quantity
<b>4"</b> Cod: FR-T2170-FO	①		4" C-Bracket	1
	②		Threaded Rod	1
	③		Ejector Sleeve	1
	④		Supporting Bracket	1
	⑤		M10 Screw Nut Kits	5
	⑥		M10 Cap Nut	1
	⑦		Fixing Knob	2
	⑧		Bolt	2
	⑨		M8 Expansion Screw	2
<b>6"</b> Cod: FR-T3300-FO	①		6" C-Bracket	1
	②		Threaded Rod	1
	③		Ejector Sleeve	1
	④		Supporting Bracket	1
	⑤		M10 Screw Nut Kits	5
	⑥		M10 Cap Nut	1
	⑦		Fixing Knob	2
	⑧		Bolt	2
	⑨		M8 Expansion Screw	2
<b>10"</b> Cod: FR-T5540-FO (FR-T540-FO in previous version)	①		10" C-Bracket	1
	②		Threaded Rod	1
	③		Ejector Sleeve	1
	④		Supporting Bracket	1
	⑤		M10 Screw Nut Kits	5
	⑥		M10 Cap Nut	1
	⑦		Fixing Knob	3
	⑧		Bolt	3
	⑨		M8 Expansion Screw	2
<b>12"</b> Cod: FR-T4350-FO	①		12" C-Bracket	1
	②		Threaded Rod	1
	③		Ejector Sleeve	1
	④		Supporting Bracket	1
	⑤		M10 Screw Nut Kits	5
	⑥		M10 Cap Nut	1
	⑦		Fixing Knob	3
	⑧		Bolt	3
	⑨		M8 Expansion Screw	2

\* Recommended Threaded Rod Diameter is 10mm and length is upon request.  
Please state the required length on the PO.

## Optical Cable Tray

## Supporting System

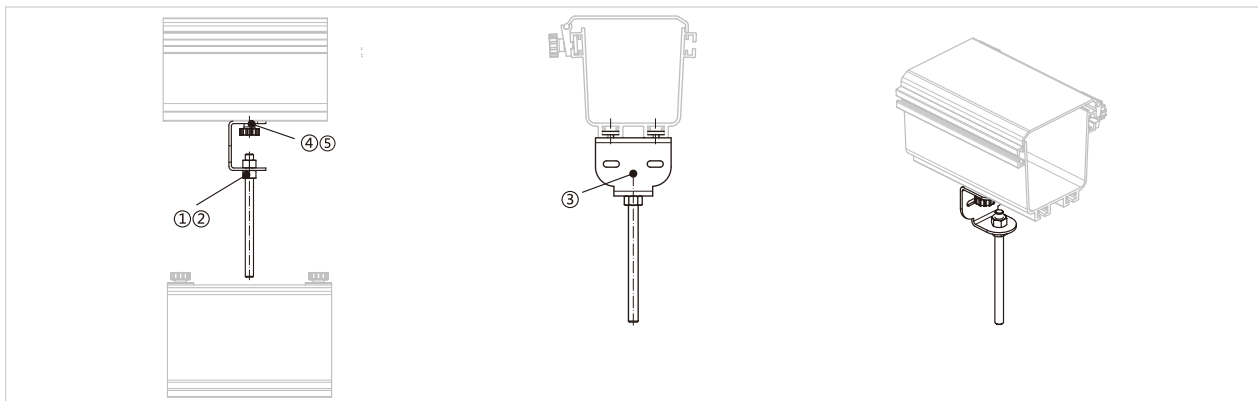
### Trapeze Support



### Installation Parts

	Item	P/N	Part	Quantity		Item	P/N	Part	Quantity
4" Cod: FR-T225-FO	①		4" Trapeze bracket	1	6" Cod: FR-T338-FO	①		6" Trapeze bracket	1
	②		Threaded Rod	2		②		Threaded Rod	2
	③		Ejector Sleeve	2		③		Ejector Sleeve	2
	④		Supporting Bracket	2		④		Supporting Bracket	2
	⑤		M10 Screw Nut Kits	10		⑤		M10 Screw Nut Kits	10
	⑥		Fixing Knob	2		⑥		Fixing Knob	2
	⑦		Bolt	2		⑦		Bolt	2
	⑧		M8 Expansion Screw	4		⑧		M8 Expansion Screw	4
10" Cod: FR-T551-FO	①		10" Trapeze bracket	1	12" Cod: FR-T440-FO	①		12" Trapeze bracket	1
	②		Threaded Rod	2		②		Threaded Rod	2
	③		Ejector Sleeve	2		③		Ejector Sleeve	2
	④		Supporting Bracket	2		④		Supporting Bracket	2
	⑤		M10 Screw Nut Kits	10		⑤		M10 Screw Nut Kits	10
	⑥		Fixing Knob	3		⑥		Fixing Knob	3
	⑦		Bolt	3		⑦		Bolt	3
	⑧		M8 Expansion Screw	4		⑧		M8 Expansion Screw	4

### Top of Rack/Cabinet Support



### Installation Parts

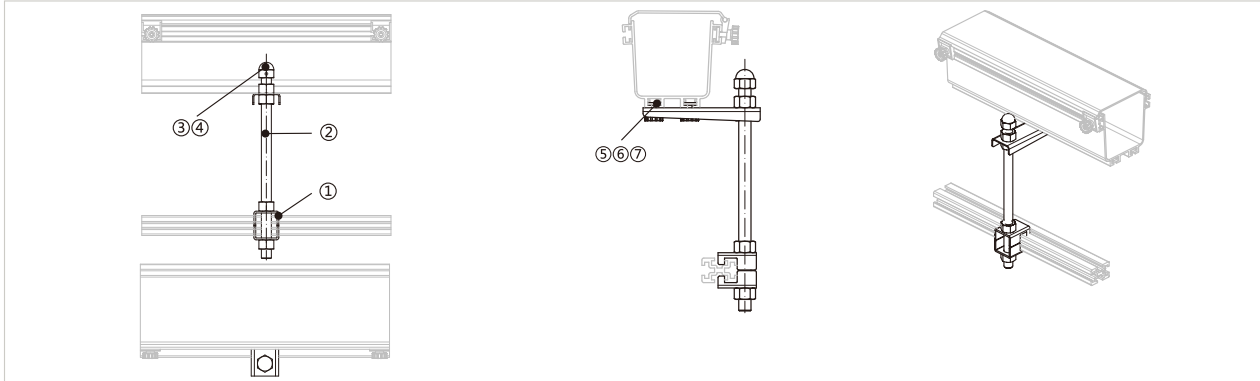
	Item	P/N	Part	Quantity		Item	P/N	Part	Quantity
4" Cod: FR-T226-FO	①		Threaded Rod	1	6" Cod: FR-T339-FO	①		Threaded Rod	1
	②		M16 Screw Nut Kits	2		②		M16 Screw Nut Kits	2
	③		4" Center Support Bracket	1		③		6" Center Support Bracket	1
	④		Fixing Knob	2		④		Fixing Knob	2
	⑤		Bolt	2		⑤		Bolt	2
10" Cod: FR-T552-FO	①		Threaded Rod	1	12" Cod: FR-T441-FO	①		Threaded Rod	1
	②		M16 Screw Nut Kits	2		②		M16 Screw Nut Kits	2
	③		10" Center Support Bracket	1		③		12" Center Support Bracket	1
	④		Fixing Knob	3		④		Fixing Knob	3
	⑤		Bolt	3		⑤		Bolt	3

\* Recommended Threaded Rod Diameter is 10mm and length is upon request. Please state the required length on the PO.

## Optical Cable Tray

## Supporting System

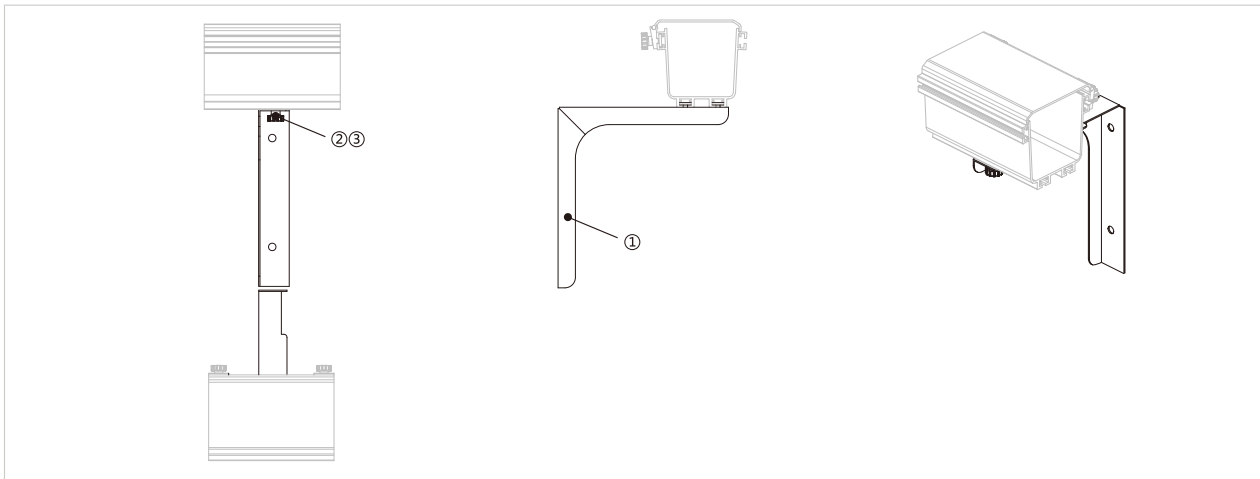
### Auxiliary Framing support



### Installation Parts

	Item	P/N	Part	Quantity		Item	P/N	Part	Quantity
4" Cod: FR-T227-FO	①		Ladder Rack Bracket	2	6" Cod: FR-T345-FO	①		Ladder Rack Bracket	2
	②		Threaded rod	1		②		Threaded rod	1
	③		M16 Screw Nut Kits	4		③		M16 Screw Nut Kits	4
	④		M16 Cap Nut	1		④		M16 Cap Nut	1
	⑤		4" Supporting Bracket(2)	1		⑤		6" Supporting Bracket(2)	1
	⑥		Fixing Knob	2		⑥		Fixing Knob	2
	⑦		Bolt	2		⑦		Bolt	2
10" Cod: FR-T550-FO	①		Ladder Rack Bracket	2	12" Cod: FR-T446-FO	①		Ladder Rack Bracket	2
	②		Threaded rod	1		②		Threaded rod	1
	③		M16 Screw Nut Kits	4		③		M16 Screw Nut Kits	4
	④		M16 Cap Nut	1		④		M16 Cap Nut	1
	⑤		10" Supporting Bracket(2)	1		⑤		12" Supporting Bracket(2)	1
	⑥		Fixing Knob	3		⑥		Fixing Knob	2
	⑦		Bolt	3		⑦		Bolt	2

### Wall Support



### Installation Parts

	Item	P/N	Part	Quantity		Item	P/N	Part	Quantity
4" Cod: FR-T2240-FO	①		4" Side support bracket	1	6" Cod: FR-T3370-FO	①		6" Side support bracket	1
	②		Fixing Knob	2		②		Fixing Knob	2
	③		Bolt	2		③		Bolt	2
10" Cod: FR-T5530-FO	①		10" Side Support Bracket	1	12" Cod: FR-T4420-FO	①		12" Side Support Bracket	1
	②		Fixing Knob	3		②		Fixing Knob	3
	③		Bolt	3		③		Bolt	3

\* Recommended Threaded Rod Diameter is 10mm and length is upon request.  
Please state the required length on the PO.